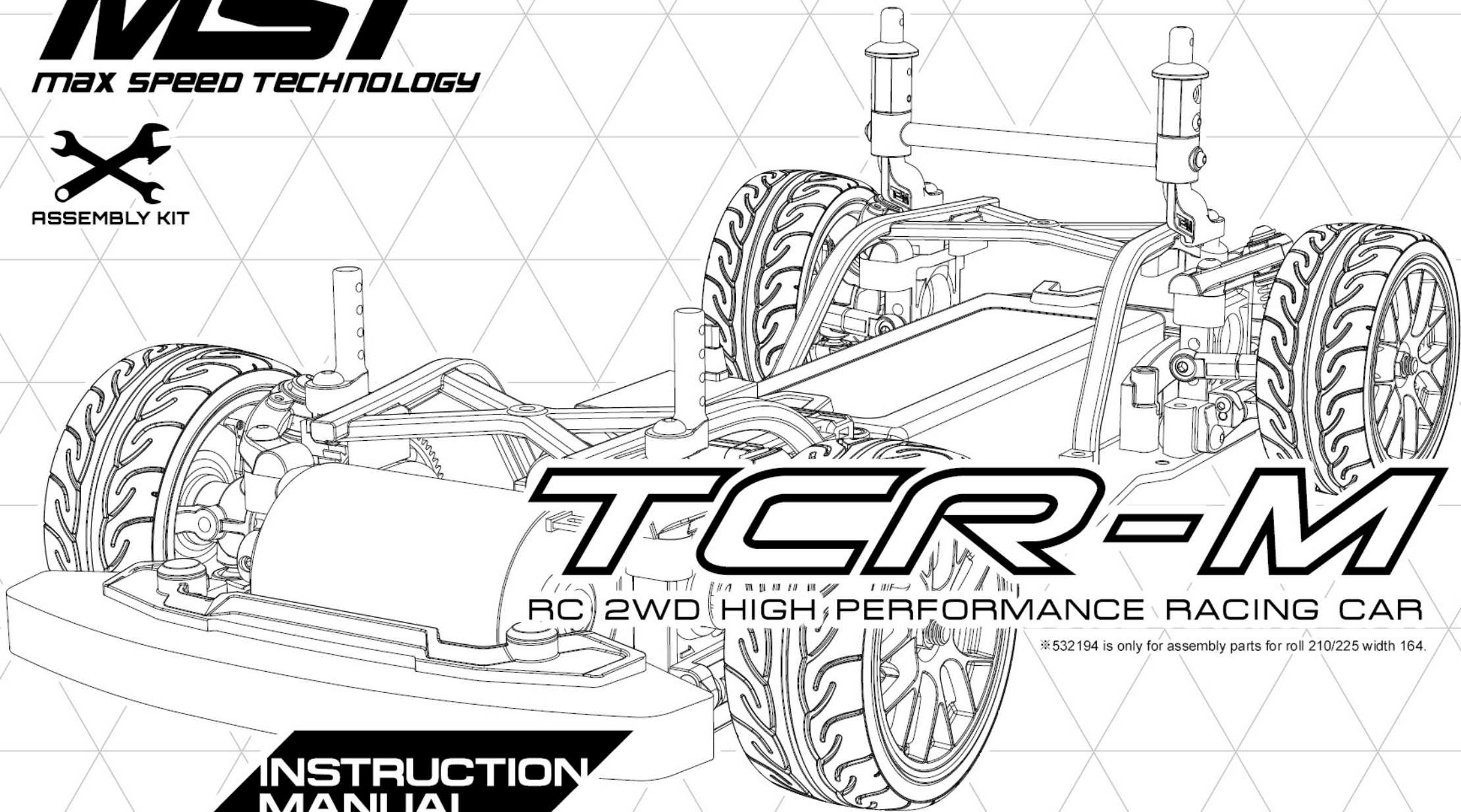


MST

MAX SPEED TECHNOLOGY



ASSEMBLY KIT



TCR-M

RC 2WD HIGH PERFORMANCE RACING CAR

※532194 is only for assembly parts for roll 210/225 width 164.

INSTRUCTION MANUAL

ON ROAD USE ONLY

SPECIFICATION: 1:10 Racing Car
WHEELBASE: 210 / 225 / 233 / 239 / 245 mm
WIDTH: 164 / 173 mm
DRIVE MODE: FF/MR/RR
CASTER: 5 degrees
FULL BALL BEARING

www.rc-mst.com

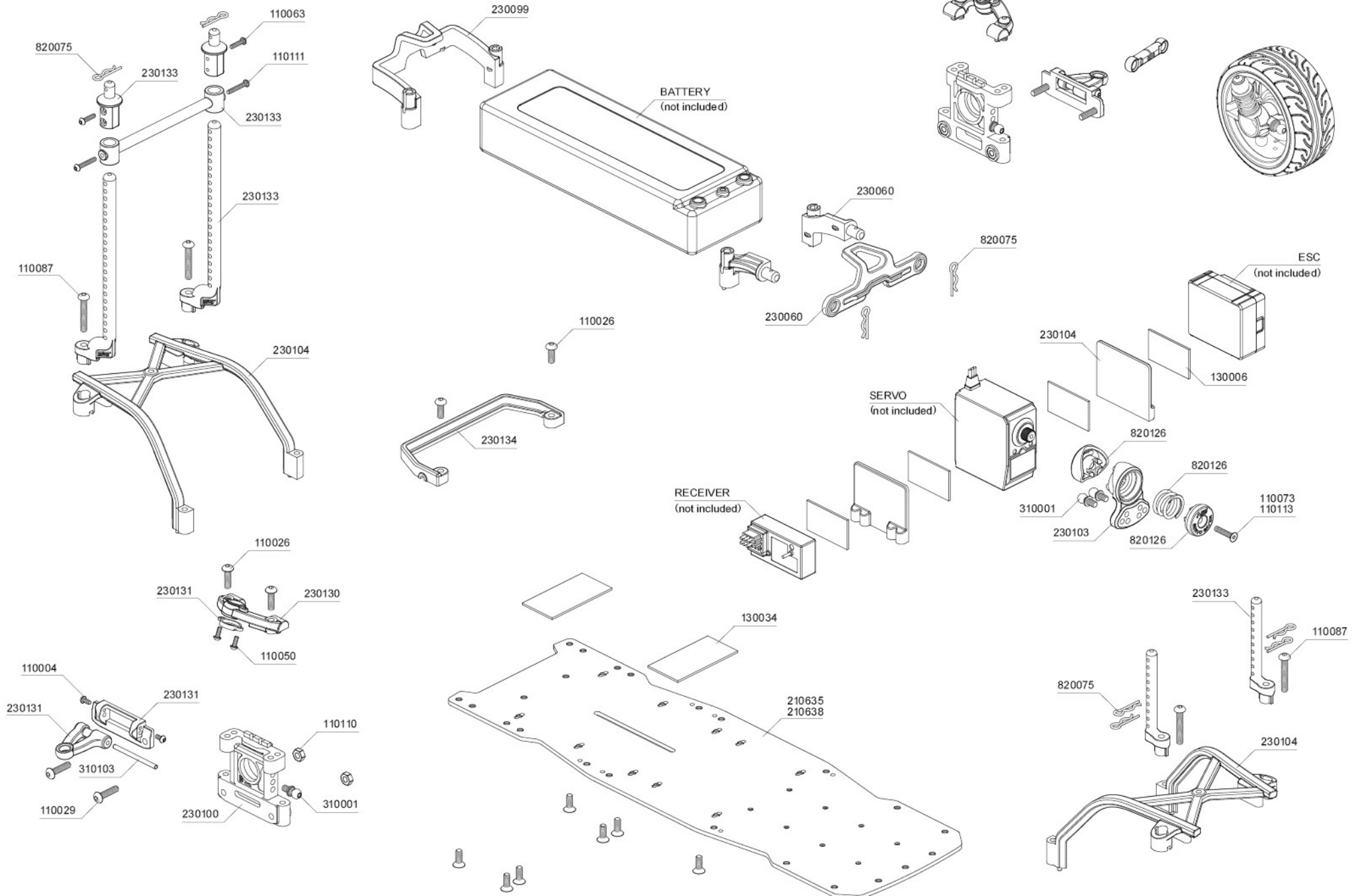
※ SPECIFICATION ARE SUBJECT TO CHANGE WITHOUT NOTICE

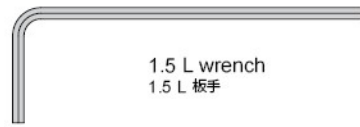
TCR-M

RC 2WD HIGH PERFORMANCE RACING CAR

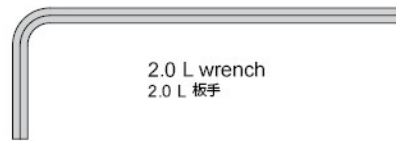
EXPLODED VIEW

MST
MAX SPEED TECHNOLOGY

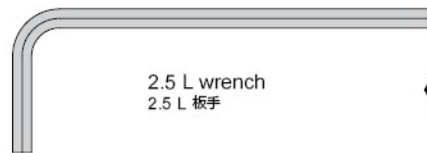




1.5 L wrench
1.5 L 板手



2.0 L wrench
2.0 L 板手



2.5 L wrench
2.5 L 板手

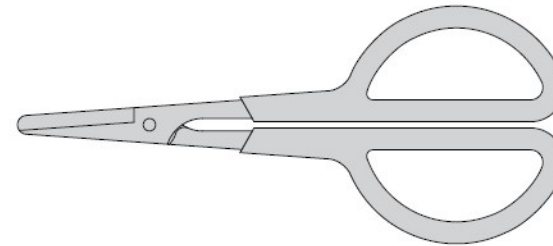


5.5 & 7.0 alum. wrench
5.5 & 7.0 套筒板手

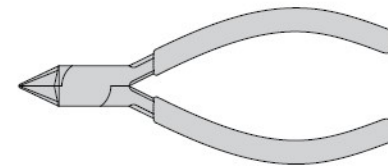
NECESSARY TOOLS FOR ASSEMBLY 工具需求 (NOT INCLUDED IN KIT) [另購]



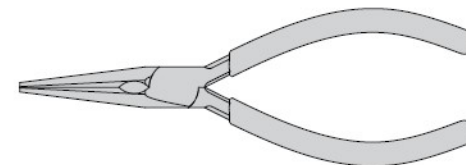
Hobby knife
美工刀



Scissors
剪刀

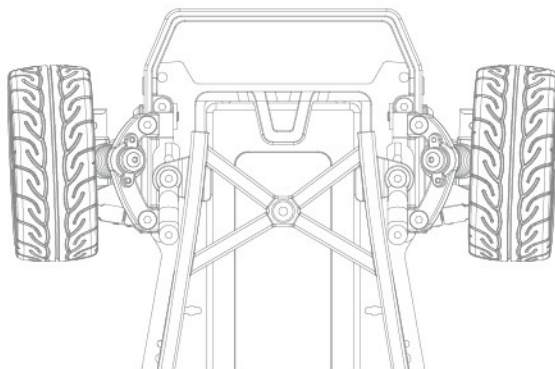


Side cutter
斜口鉗



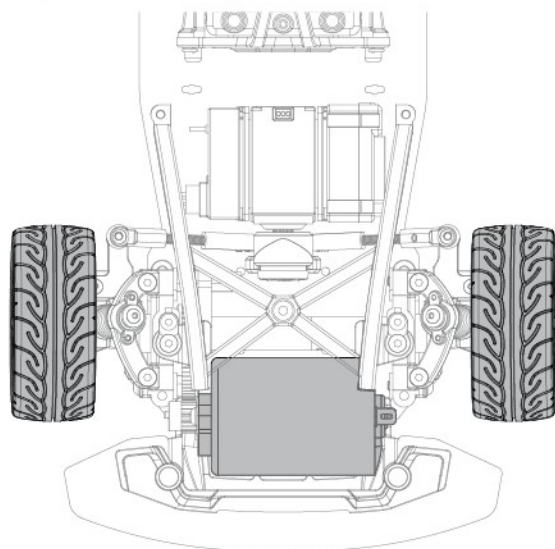
Needle nose pliers
尖嘴鉗

Please follow the assembling figures and instructions closely
for your [TCR-M] best performance!
請依照說明書圖示步驟安裝以發揮 [TCR-M] 最好效能!

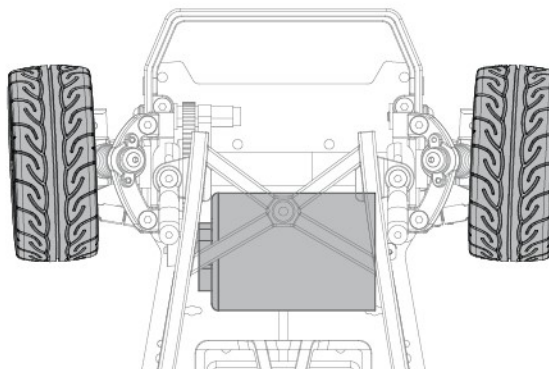


FF

FRONT MOTOR
FRONT DRIVE

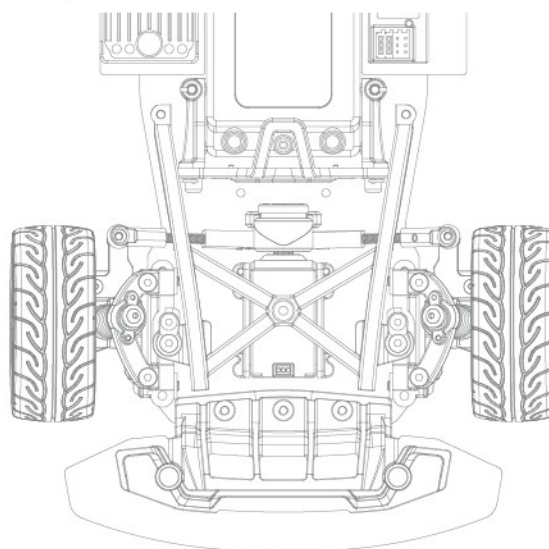


Please follow "FF" to assemble
組裝期間請依循 "FF" 字樣組裝

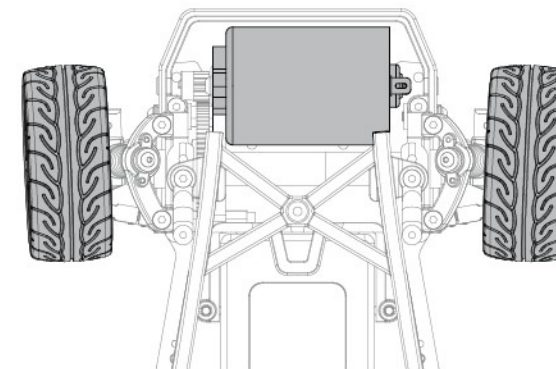


MR

MID MOTOR
REAR DRIVE

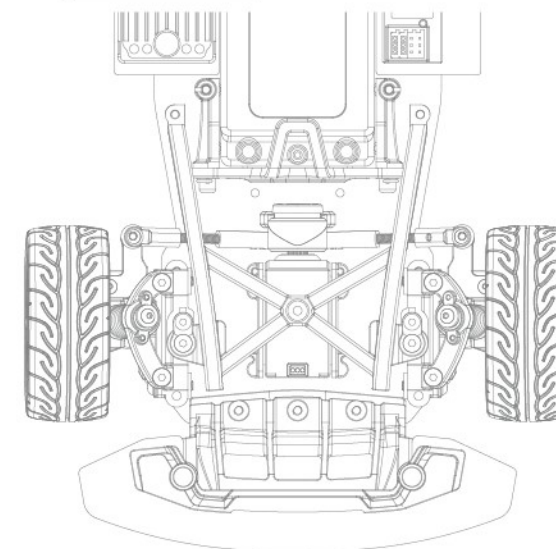


Please follow "MR" to assemble
組裝期間請依循 "MR" 字樣組裝



RR

REAR MOTOR
REAR DRIVE



Please follow "RR" to assemble
組裝期間請依循 "RR" 字樣組裝

210 **225** **233** **239** **245**

210635

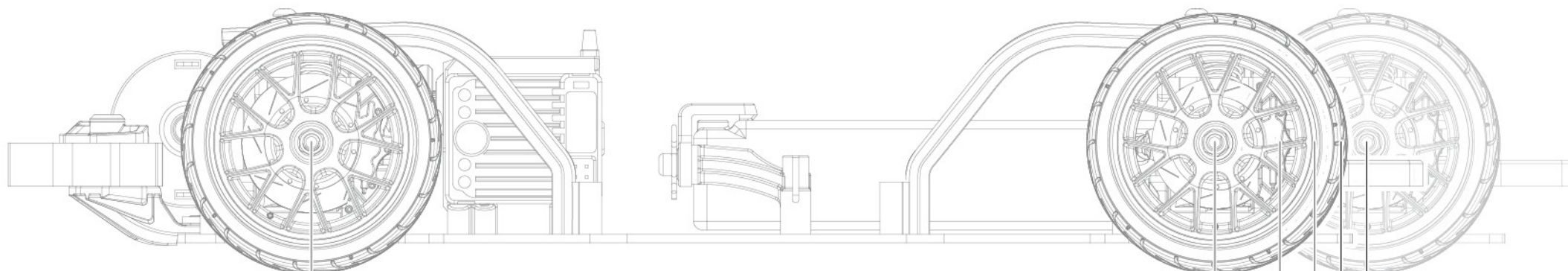
TCR-M lower deck 2.0 (210/225)

TCR-M 纖維底盤 2.0 (210/225)

210638

TCR-M lower deck 2.0 (233/239/245)

TCR-M 纖維底盤 2.0 (233/239/245)



WHEELBASE

Please follow "WB" to assemble
組裝期間請依循 "軸距" 組裝

210635

TCR-M lower deck 2.0 (210/225)

TCR-M 纖維底盤 2.0 (210/225)

210638

TCR-M lower deck 2.0 (233/239/245)

TCR-M 纖維底盤 2.0 (233/239/245)

210mm

225mm

233mm

239mm

245mm

Example of finished assembly configuration marking

成品完整配置標示範例

FF **210** **S**

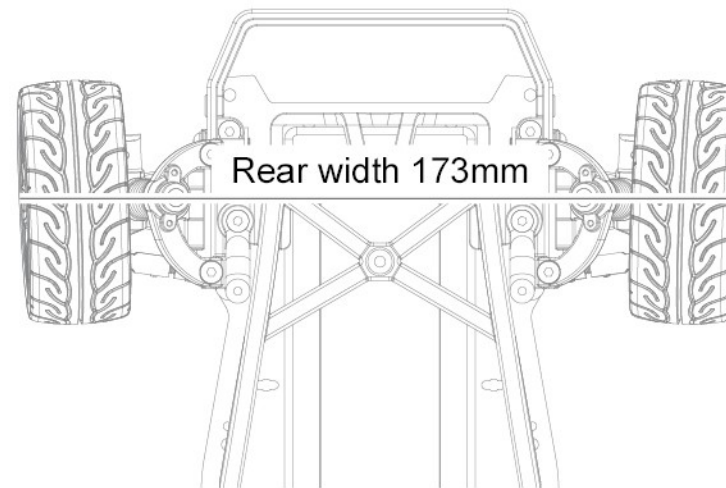
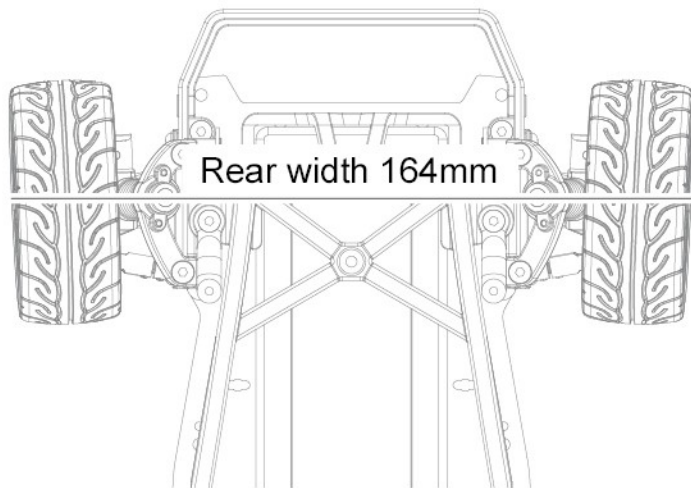
Front motor front-wheel-drive 210mm
standard vehicle width

前置馬達前輪驅動 210mm 標準車寬

MR **239** **W**

Mid-mounted motor rear-wheel-drive 239mm
wide vehicle width

中置馬達後輪驅動 239mm 寬版車寬



**STANDARD
TRACK 164mm**

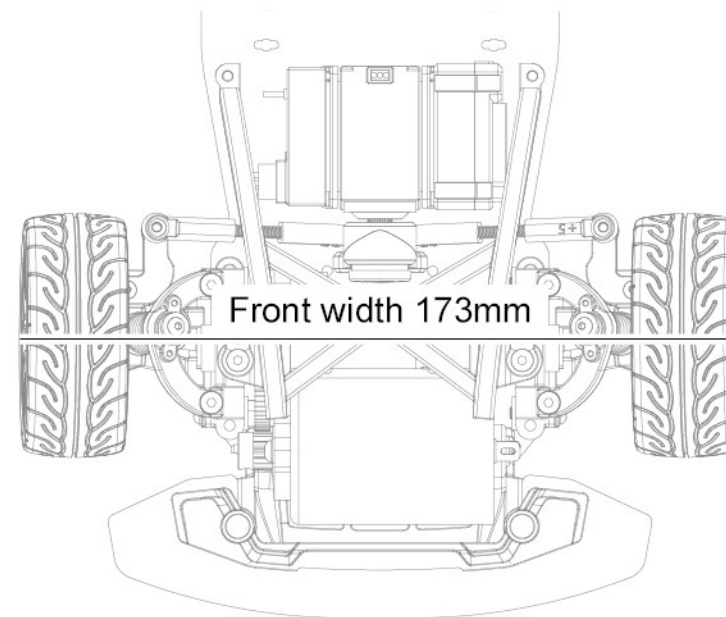
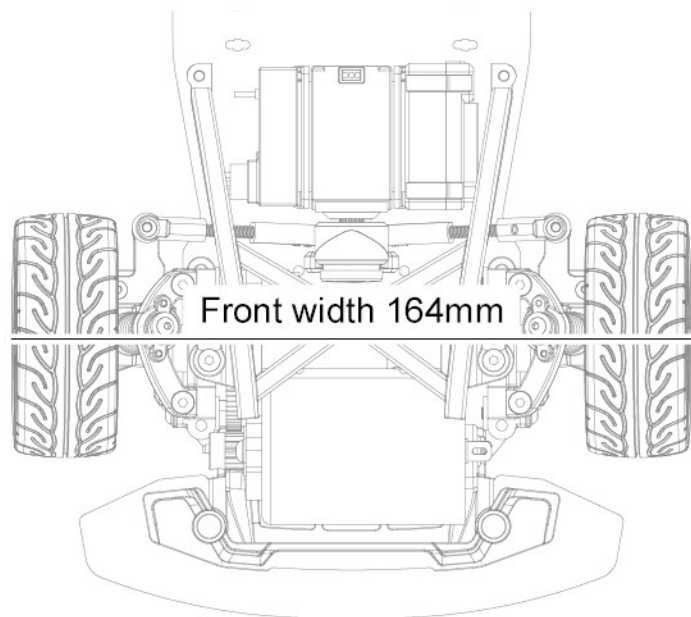
Please follow "S" to assemble
組裝期間請依循 "S" 字樣組裝

※ The shown widths are based on the standard M car and MST M car offset +1 wheel settings.
圖標尺寸是基於標準 M Car 輪框和 MST M Car 輪框 (Off set +1) 的設定值。



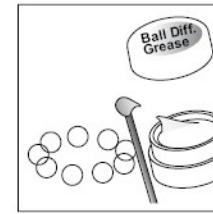
**WIDER
TRACK 173mm**

Please follow "W" to assemble
組裝期間請依循 "W" 字樣組裝

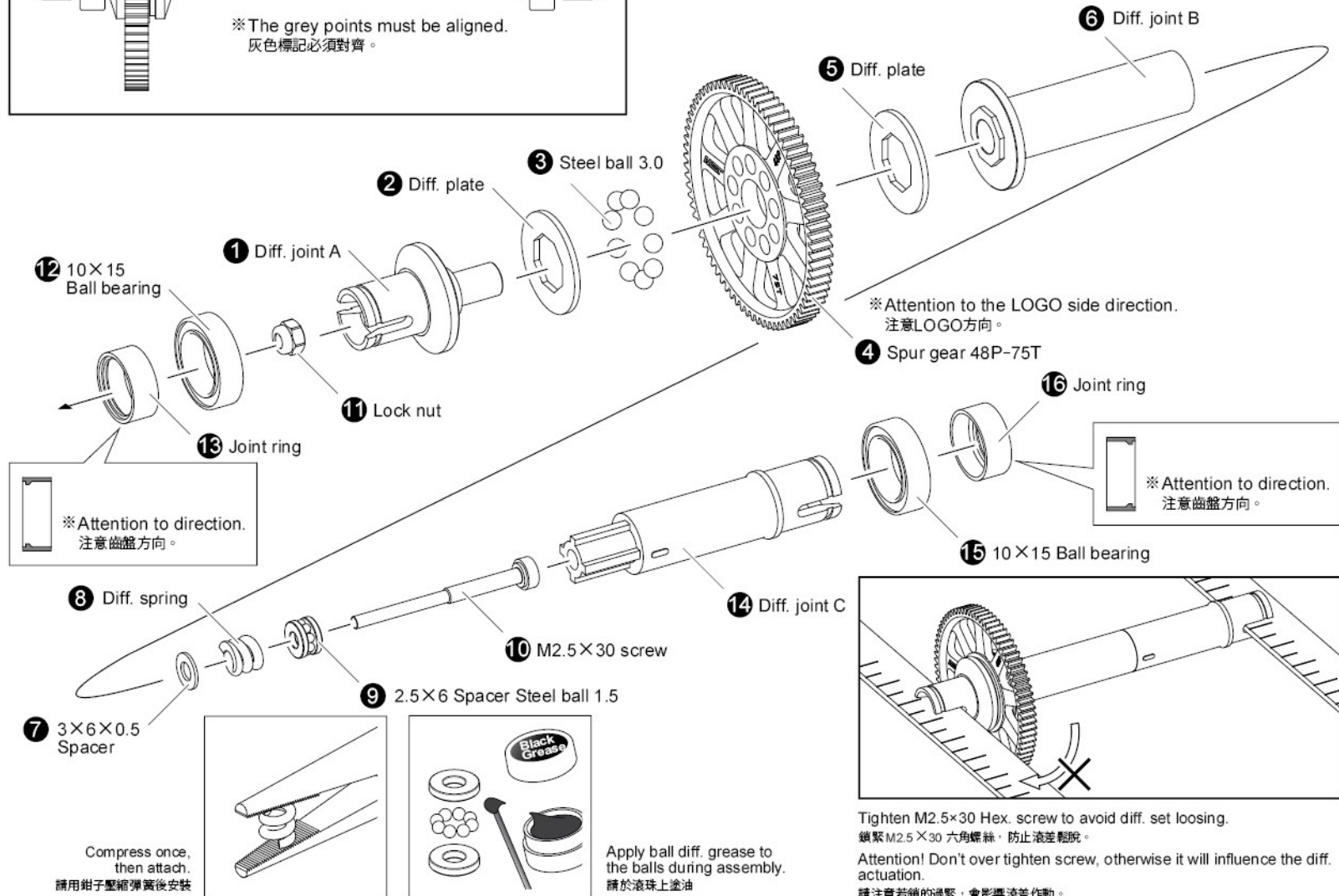


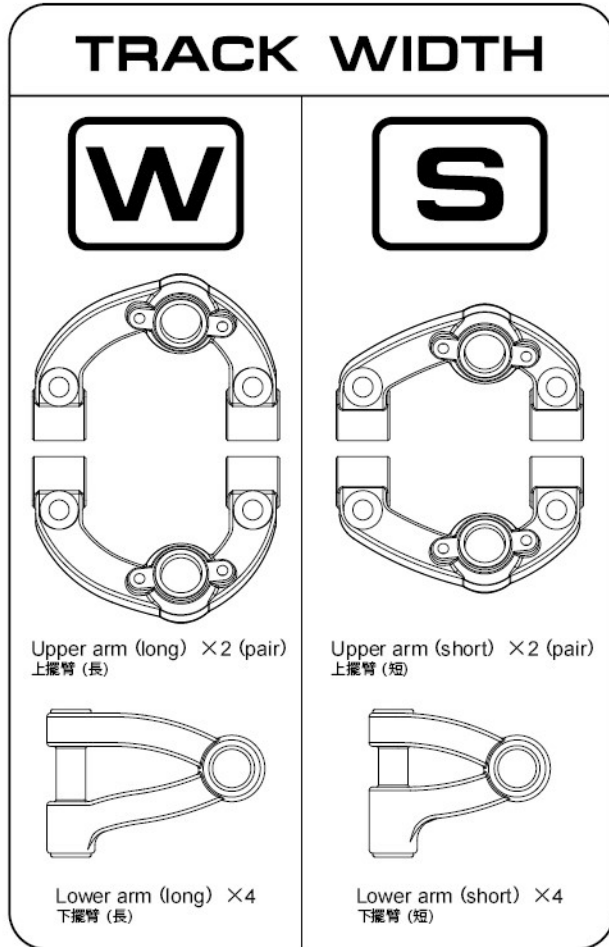
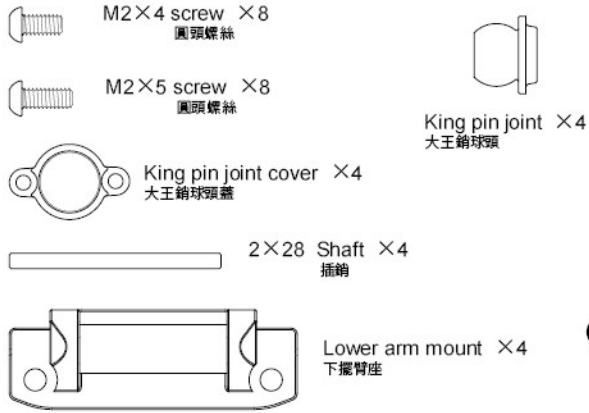
- Steel ball 1.5 × 8
鋼珠 1.5
- Steel ball 3.0 × 9
鋼珠 3.0
- Spur gear 48P-75T × 1
48P-75T 滾差大齒盤
- Diff. joint B × 1
滾差接杆 B
- Diff. joint A × 1
滾差接杆 A
- Diff. joint C × 1
滾差接杆 C
- Diff. plate × 2
滾差壓板
- 2.5×6 Spacer × 2
鋼板
- 10×15 Ball bearing × 2
培林
- Joint ring × 2
接杆環
- 3×6×0.5 Spacer × 1
墊片
- Lock nut M2.5 × 1
防鬆螺帽 M2.5
- Diff. spring × 1
滾差彈簧
- M2.5×30 Cap screw × 1
有頭螺絲(半牙)

STEP 1 Diff. set assembly
後擺臂組裝

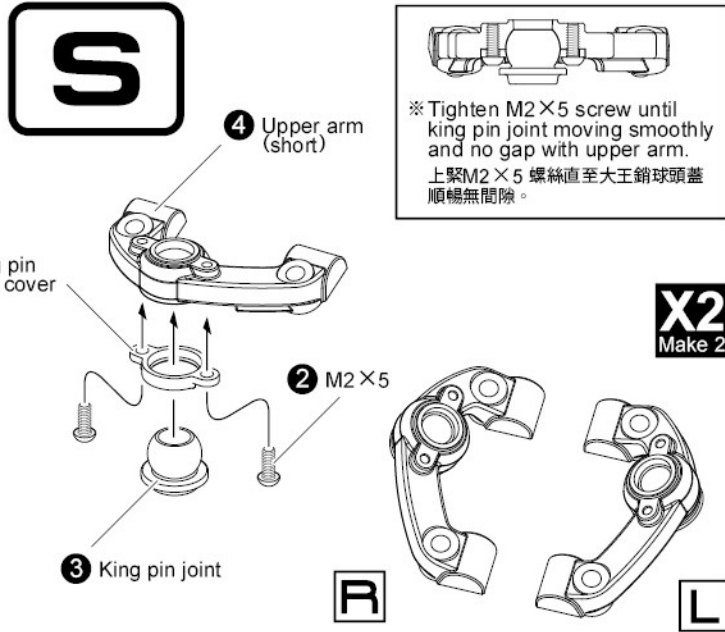


Apply ball diff. grease to the differential during assembly.
請於滾珠上塗油

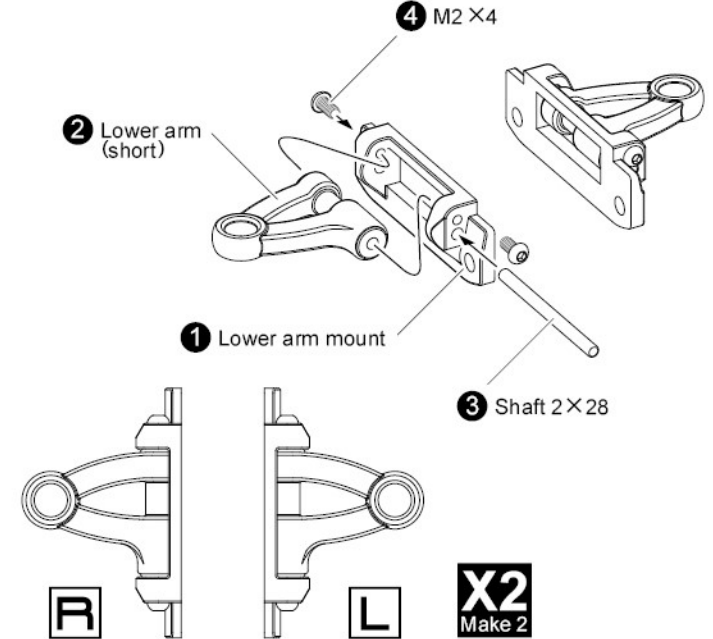




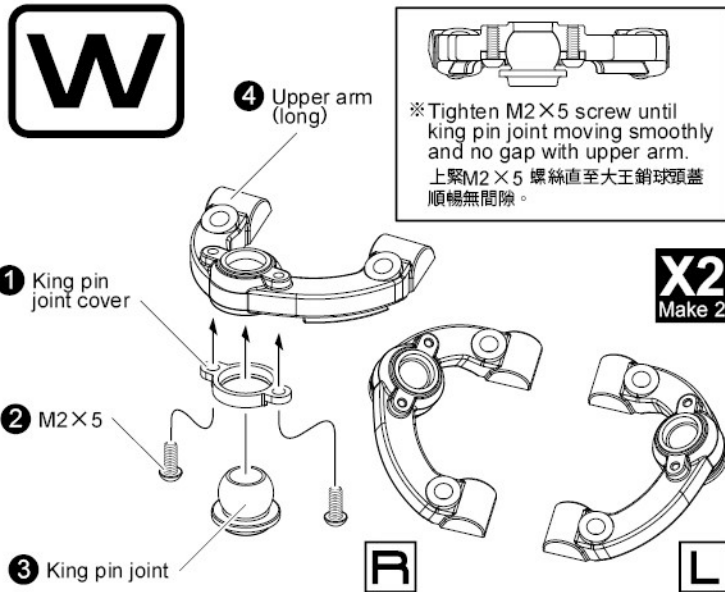
STEP 1 Front upper arm assembly
前上擺臂組裝



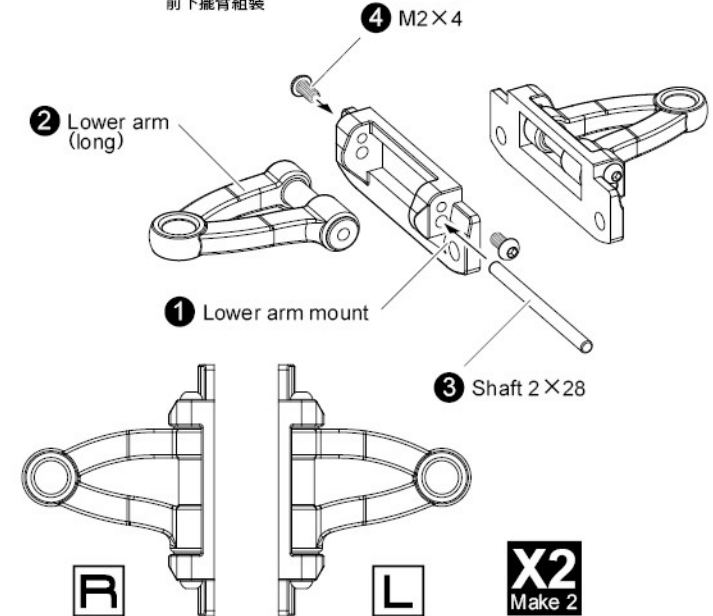
STEP 2 Front lower arm assembly
前下擺臂組裝



STEP 1 Front upper arm assembly
前上擺臂組裝



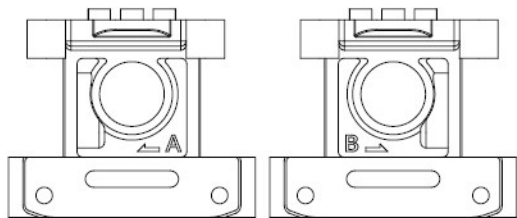
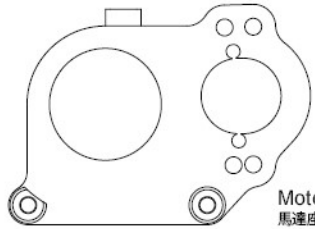
STEP 2 Front lower arm assembly
前下擺臂組裝



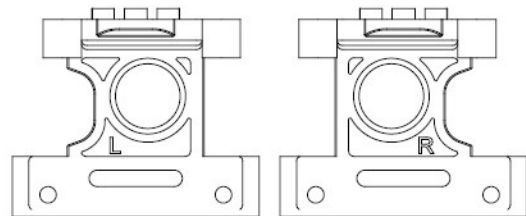


FRONT MOTOR
FRONT DRIVE

- M3×25 screw ×1
圓頭螺絲
- M3×20 screw ×1
圓頭螺絲
- M3×12 screw ×6
圓頭螺絲
- M3×10 screw ×8
圓頭螺絲
- 4.8×4.5 Ball end ×2
球頭螺絲
- M3 nut ×6
螺帽

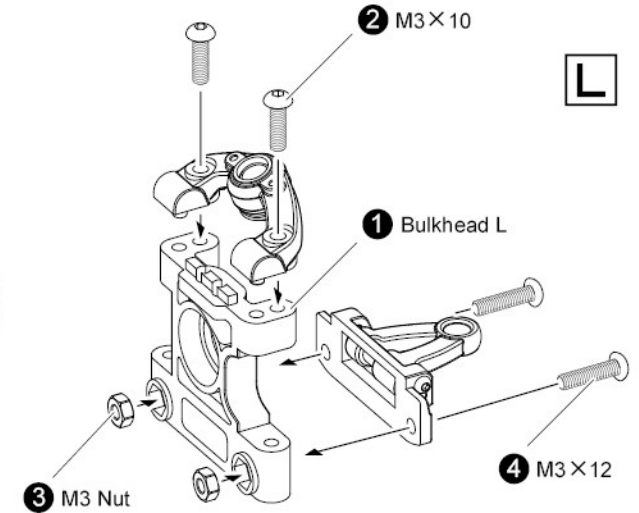
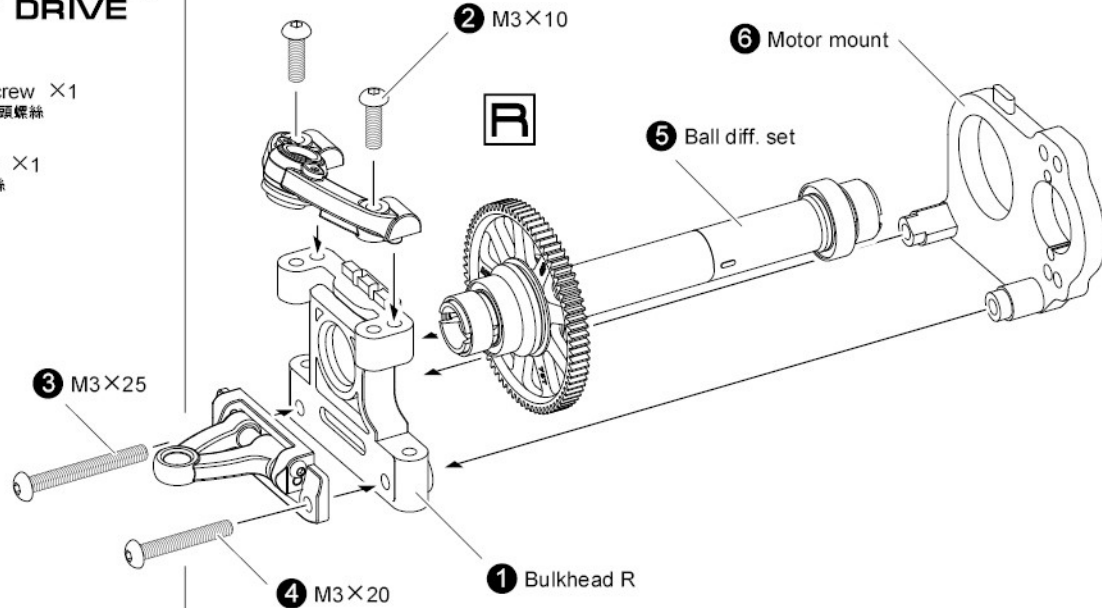


Bulkhead ×1 (pair)
側板



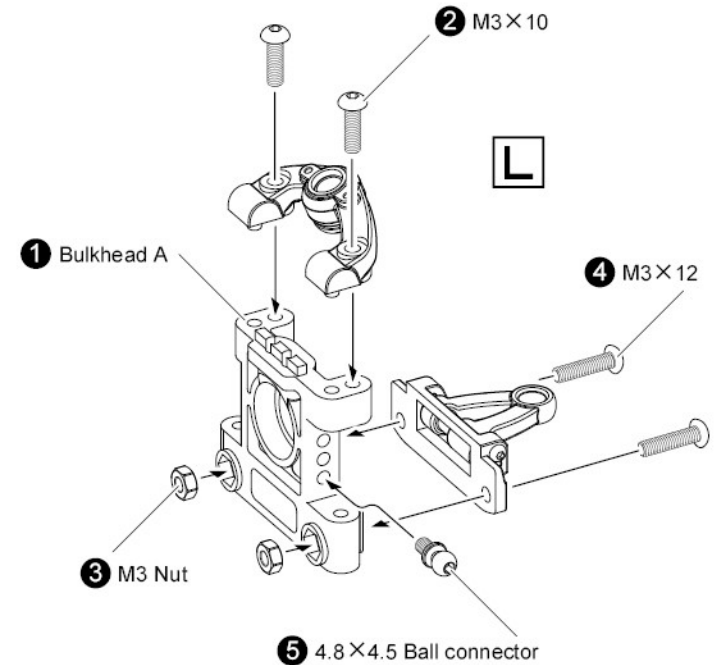
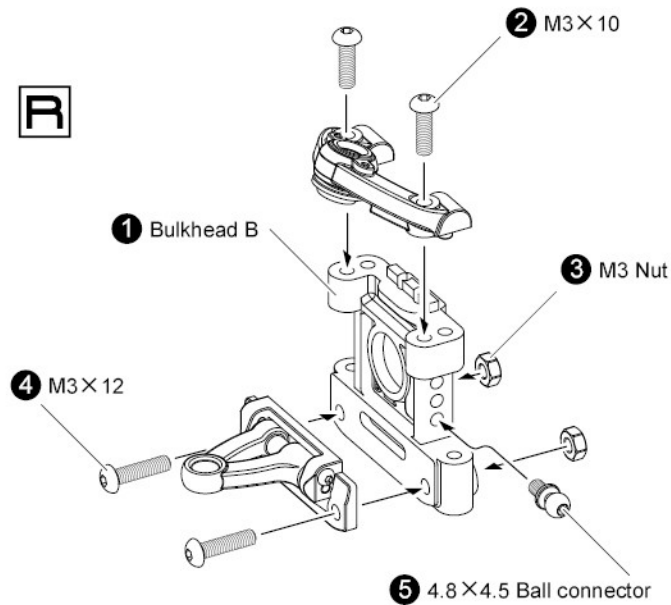
Bulkhead ×1 (pair)
側板

STEP 1 Front bulkhead assembly
前側板組裝

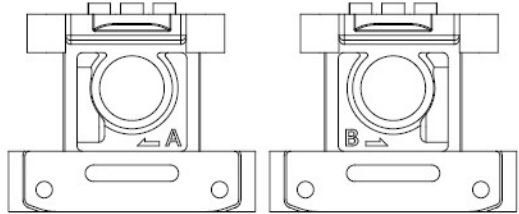


※ Example of assembly is FF 225 S.
組裝圖例為 FF 225 S。

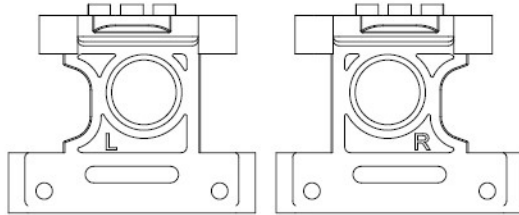
STEP 2 Rear bulkhead assembly
後側板組裝



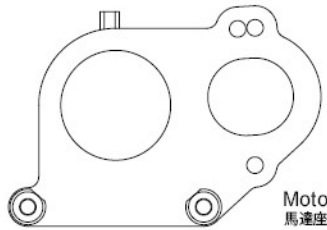
MR MID MOTOR
REAR DRIVE



Bulkhead ×1 (pair)
側板



Bulkhead ×1 (pair)
側板



Motor mount ×1
馬達座



M3×25 screw ×1
圓頭螺絲



M3×20 screw ×1
圓頭螺絲



M3×12 screw ×6
圓頭螺絲



M3×10 screw ×8
圓頭螺絲



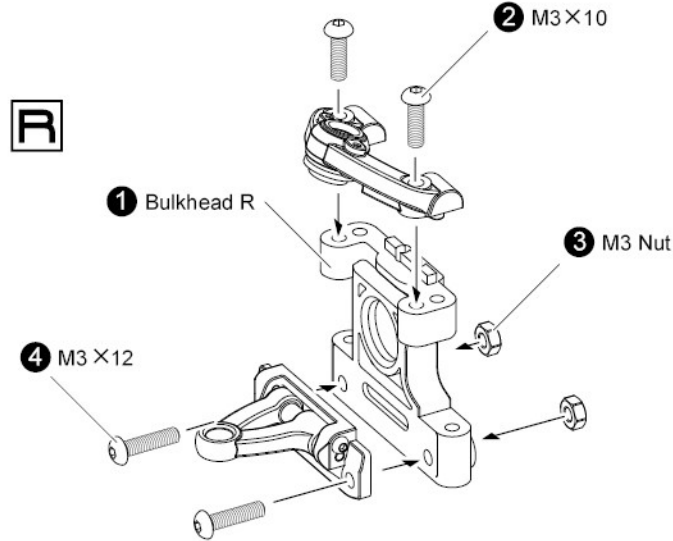
4.8×4.5 Ball end ×2
球頭螺絲



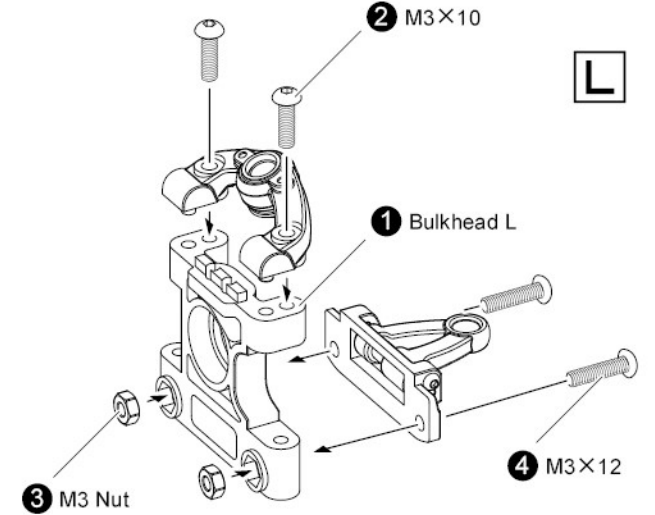
M3 nut ×6
螺帽

STEP 1 Front bulkhead assembly
前側板組裝

R



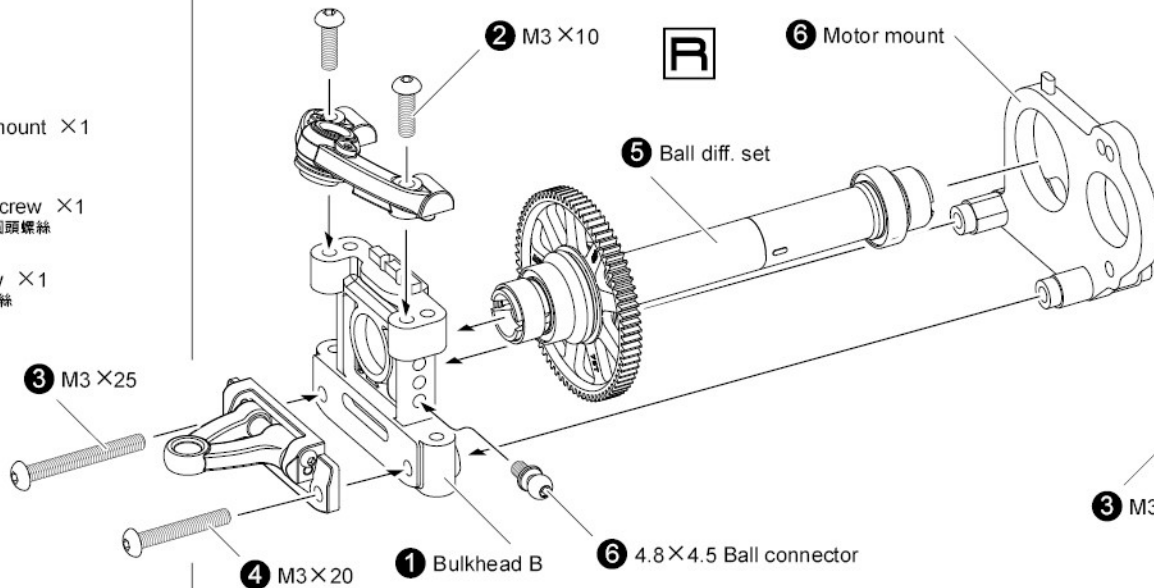
L



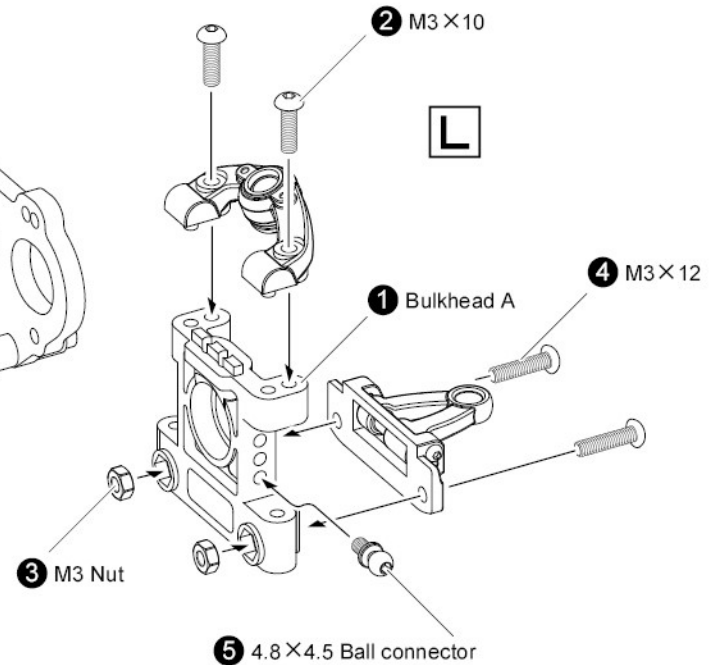
※Example of assembly is MR 225 S.
組裝圖例為 MR 225 S。

STEP 2 Rear bulkhead assembly
後側板組裝

R

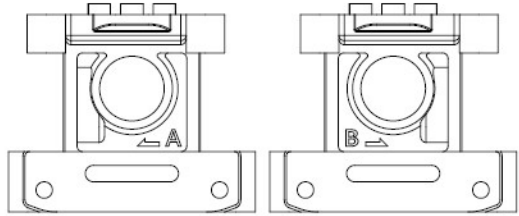


L

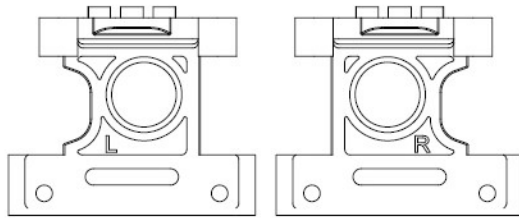




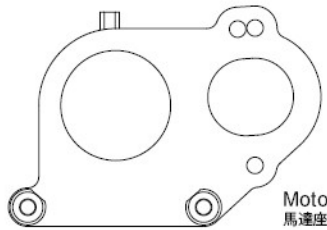
REAR MOTOR
REAR DRIVE



Bulkhead ×1 (pair)
側板



Bulkhead ×1 (pair)
側板



Motor mount ×1
馬達座



M3×25 screw ×1
圓頭螺絲



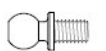
M3×20 screw ×1
圓頭螺絲



M3×12 screw ×6
圓頭螺絲



M3×10 screw ×8
圓頭螺絲

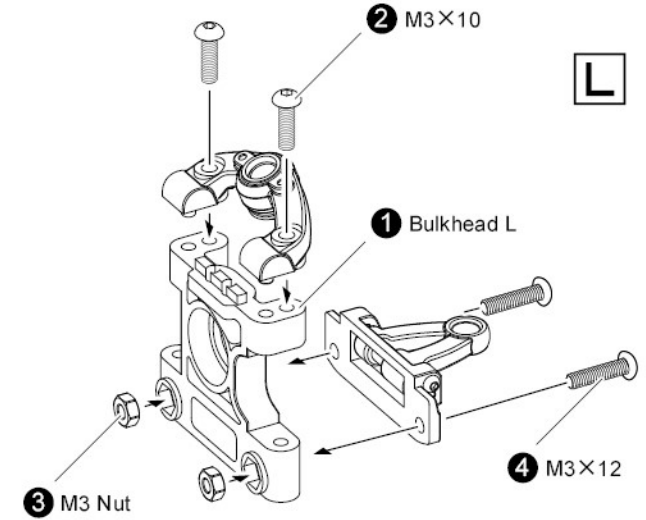
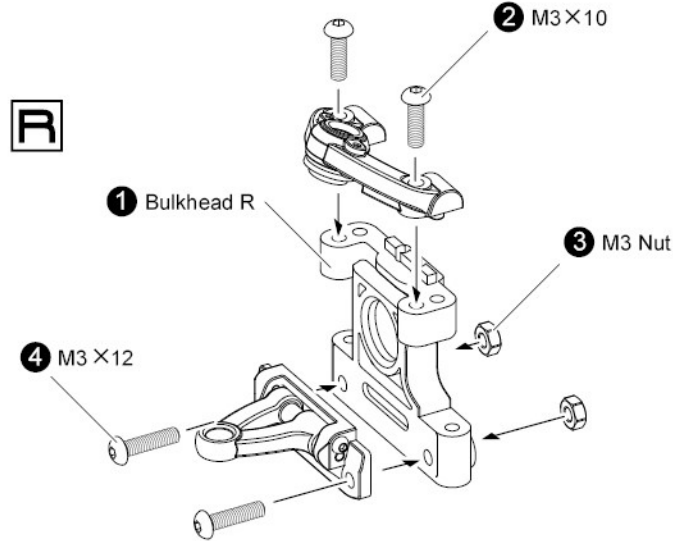


4.8×4.5 Ball end ×2
球頭螺絲



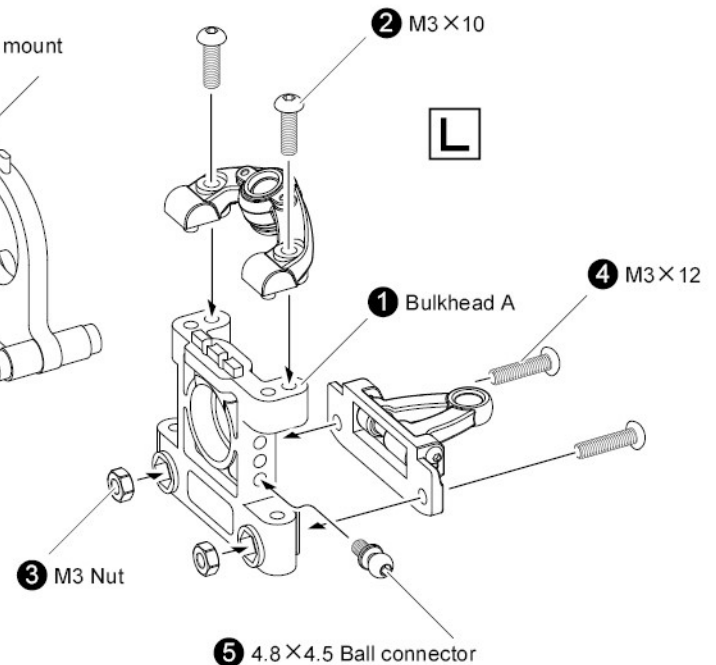
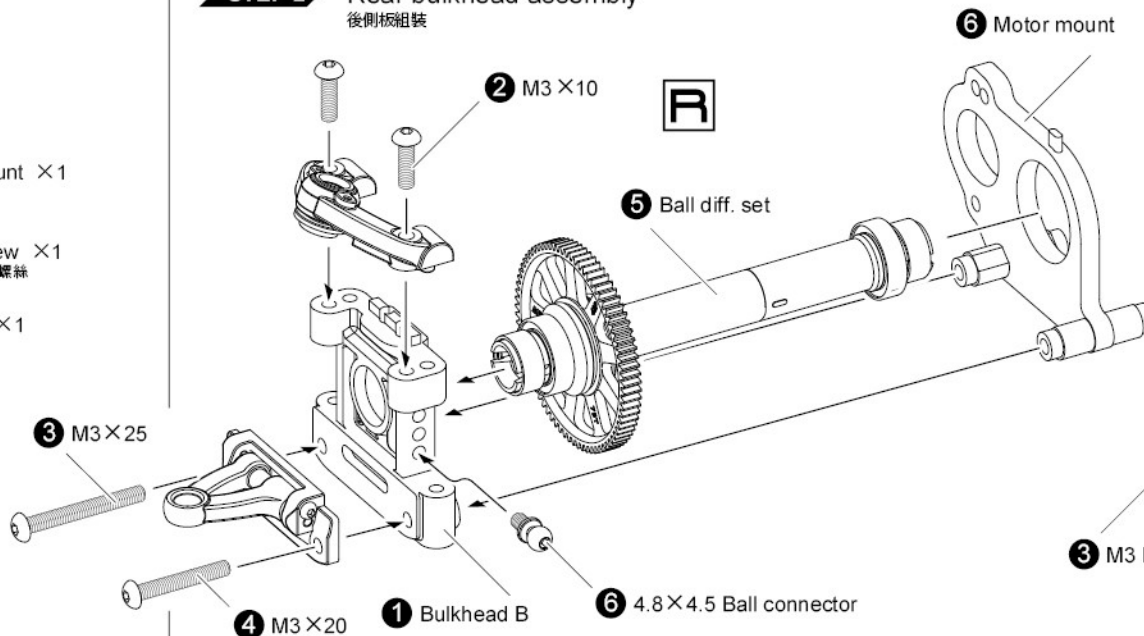
M3 nut ×6
螺帽

STEP 1 Front bulkhead assembly
前側板組裝



※Example of assembly is RR 225 S.
組裝圖例為 RR 225 S。

STEP 2 Rear bulkhead assembly
後側板組裝



WHEELBASE

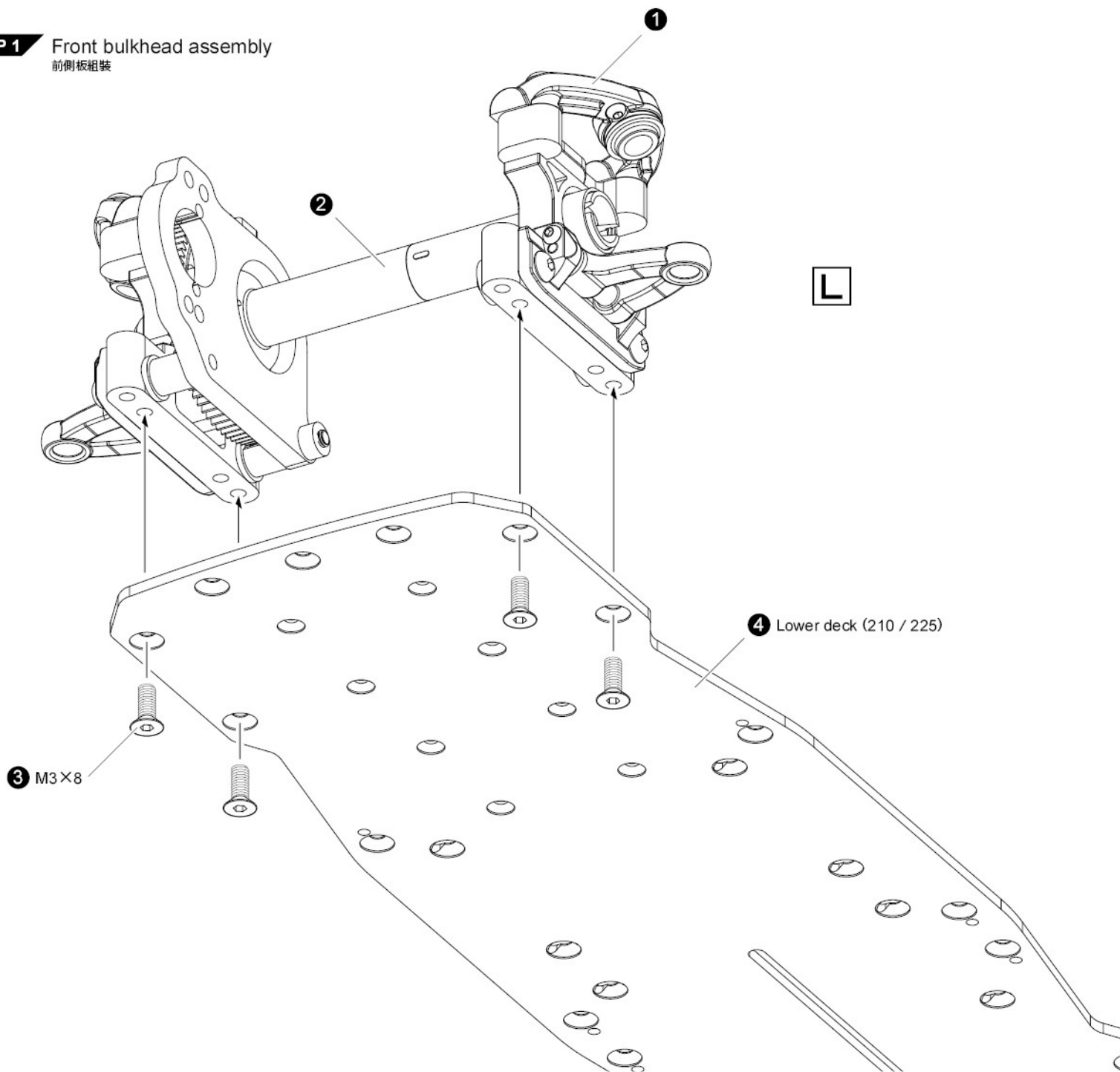
210 225

STEP 1 Front bulkhead assembly
前側板組裝

M3×8 screw ×4
沉頭螺絲

R

L



※ Example of assembly is FF 210 / 225 S.
組裝圖例為 FF 210 / 225 S。

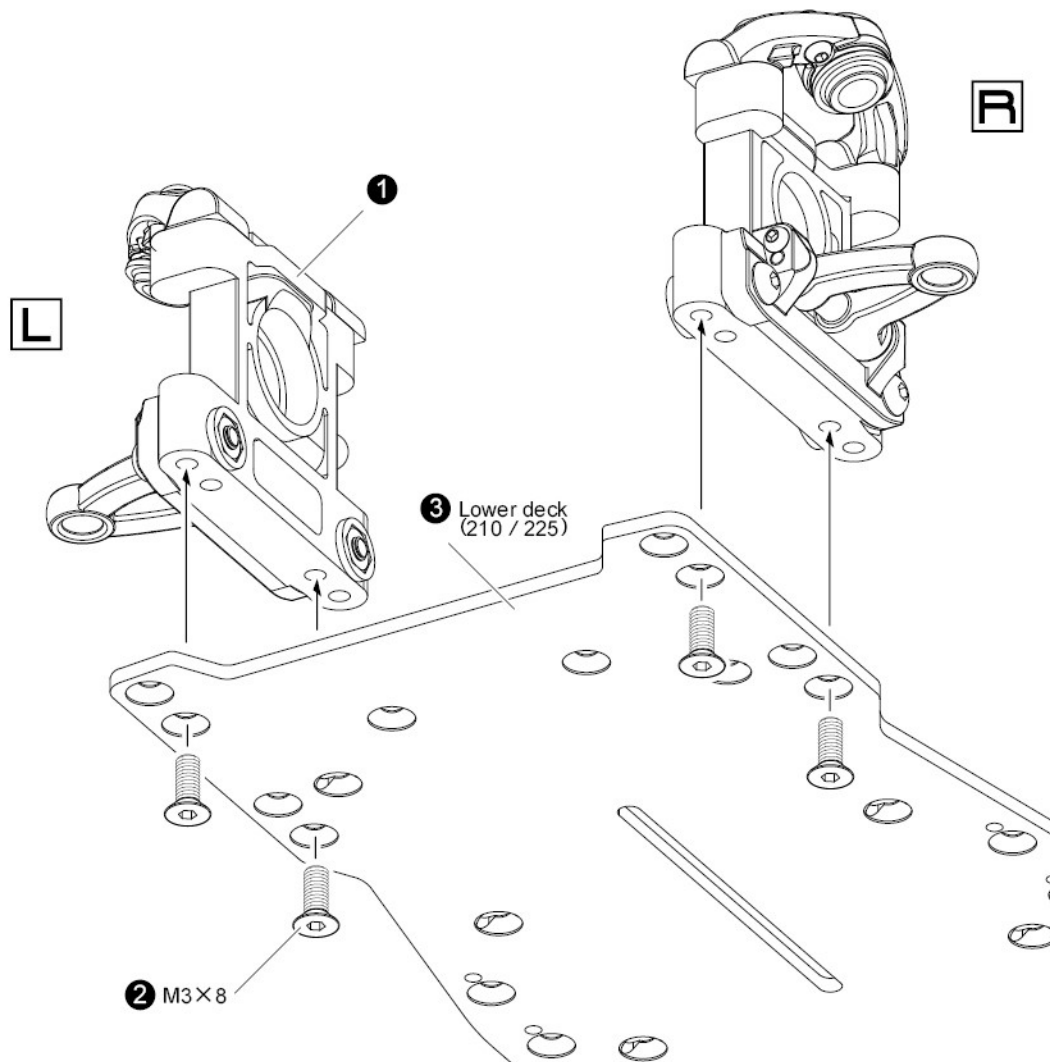
WHEELBASE

210 225

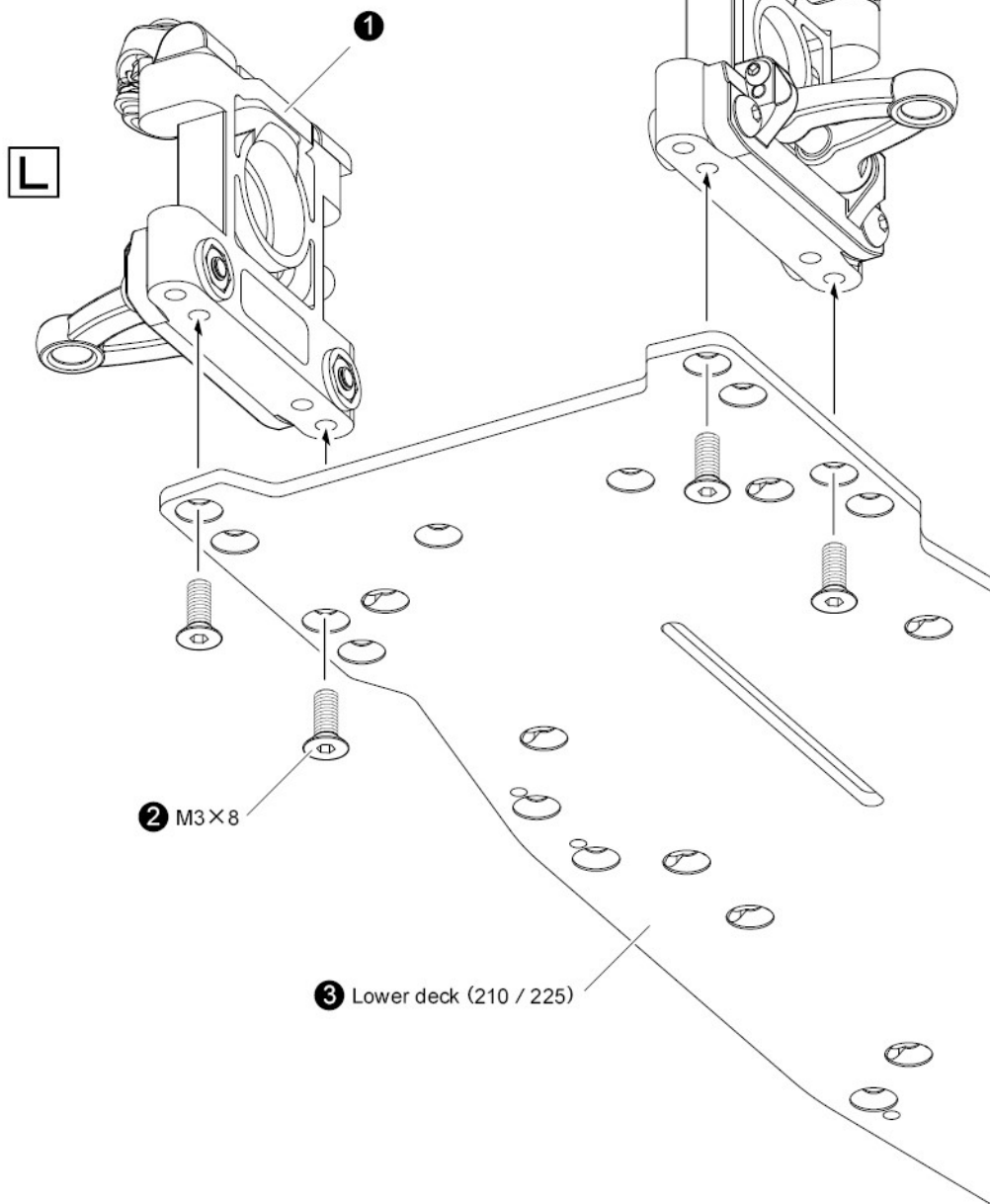
STEP 2 Rear bulkhead assembly
後側板組裝

M3×8 screw ×4
沉頭螺絲

210



225

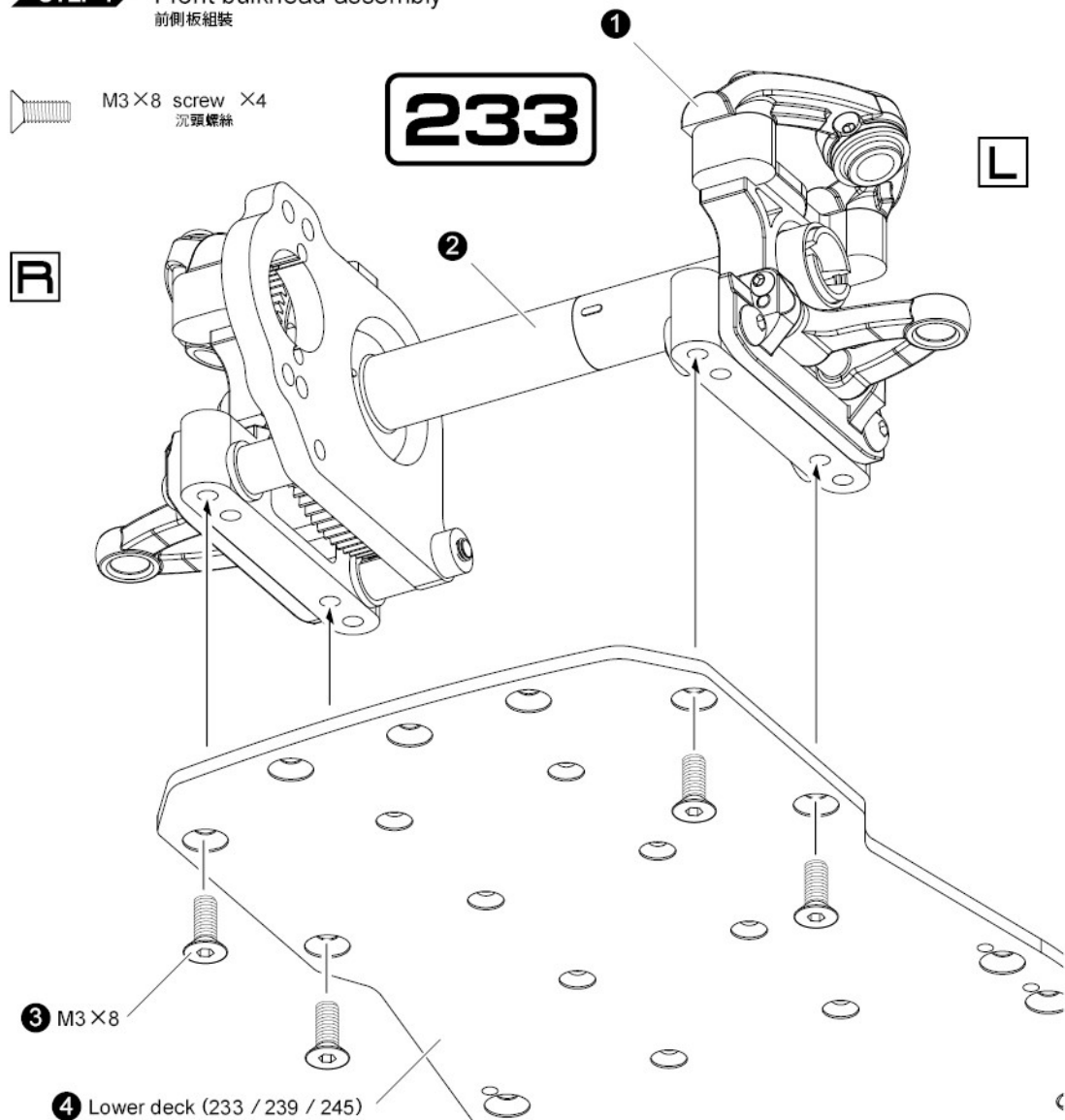


WHEELBASE

233 **239** **245**

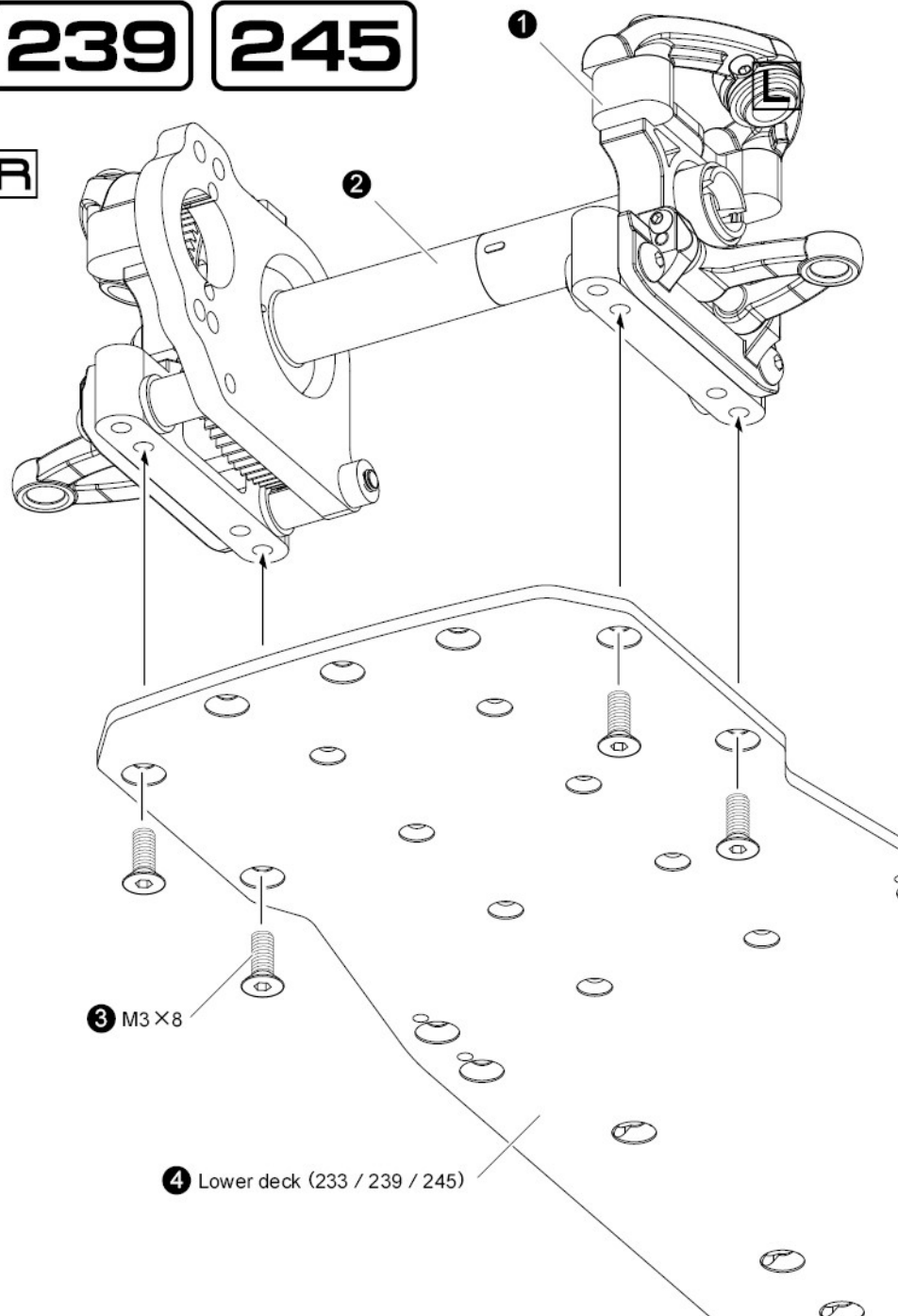
STEP 1 Front bulkhead assembly
前側板組裝

M3×8 screw ×4
沉頭螺絲



239 **245**

R

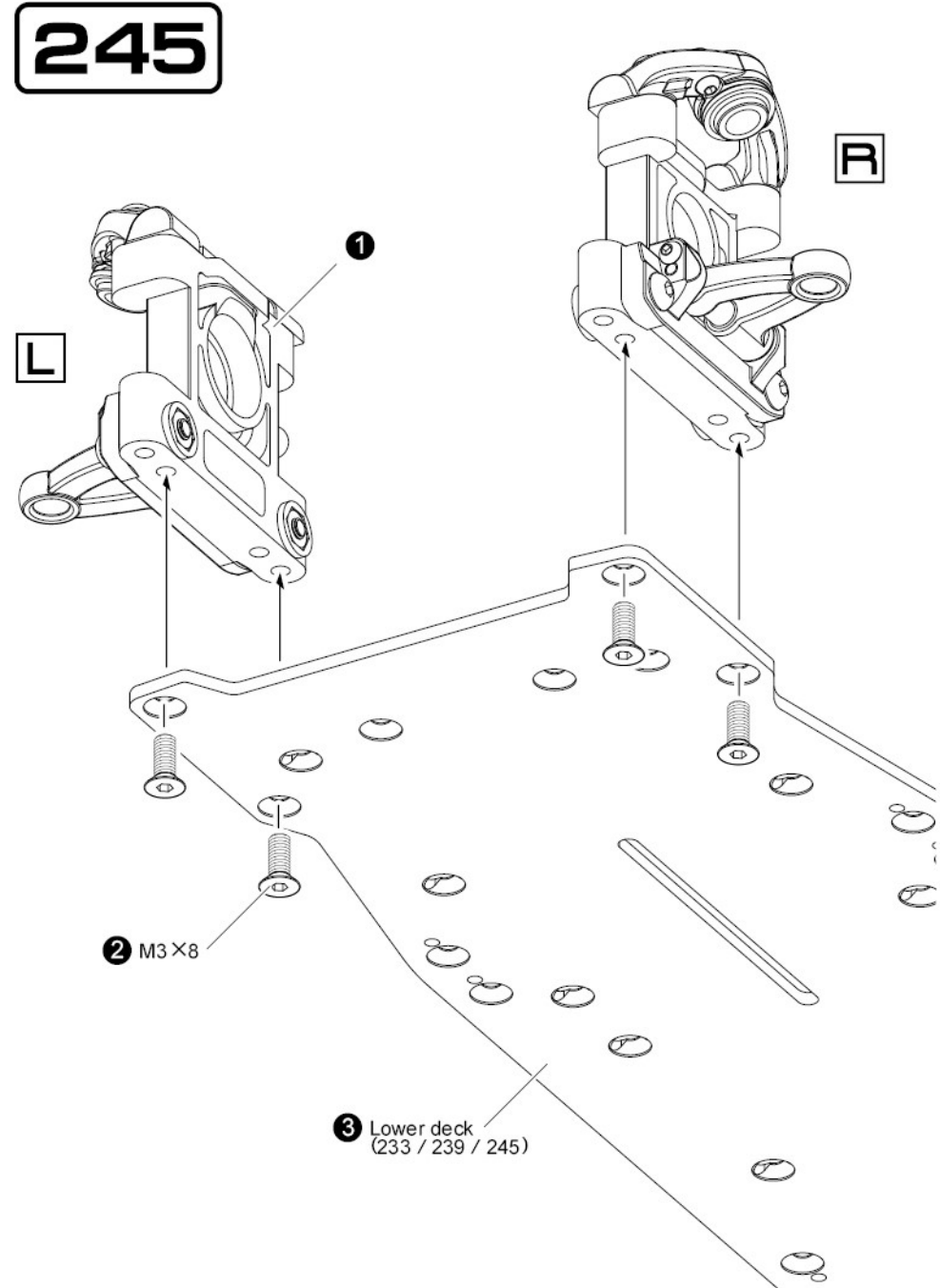
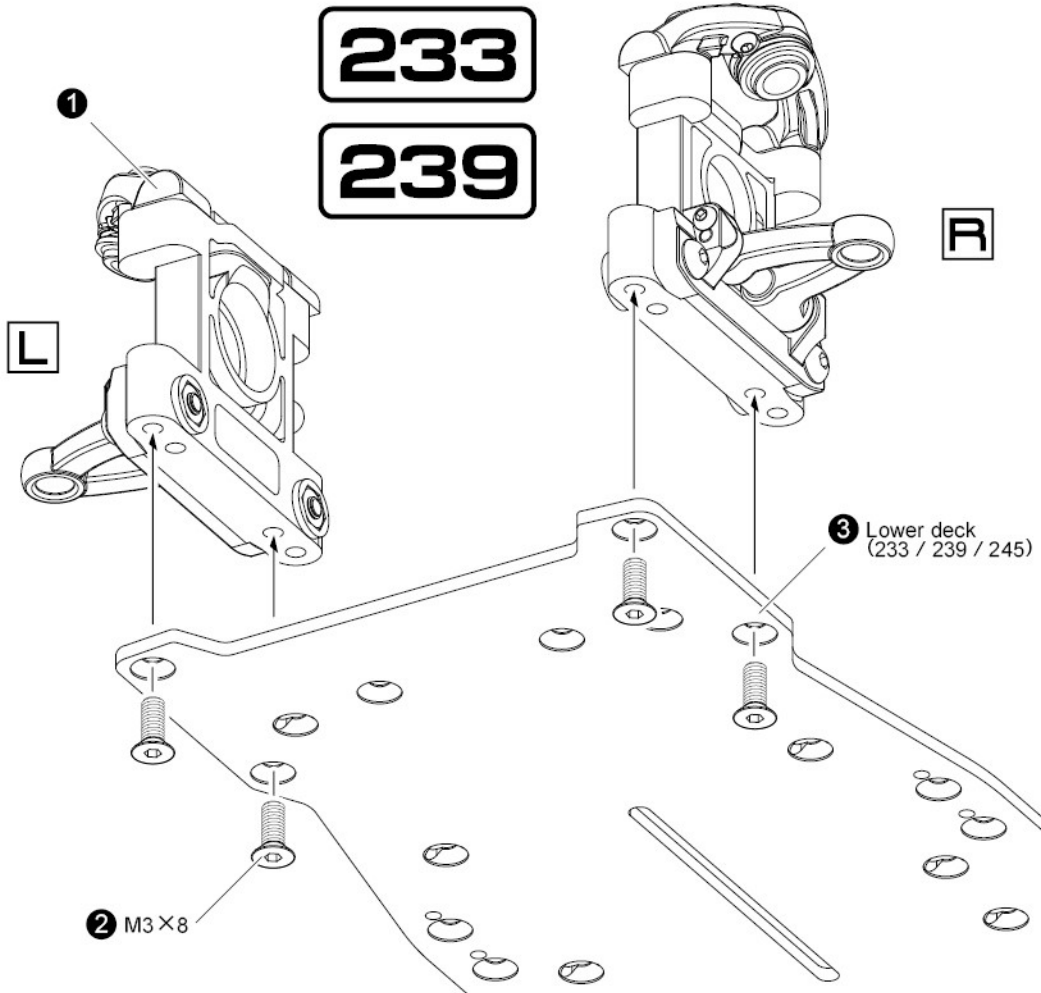





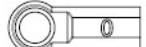
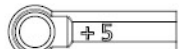
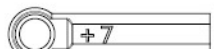



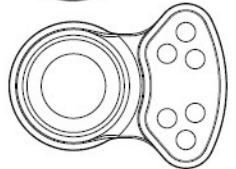

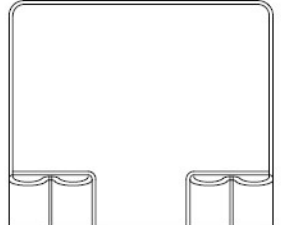
WHEELBASE

233 239 245

STEP 2 Rear bulkhead assembly
後側板組裝

M3×8 screw ×4
沉頭螺絲

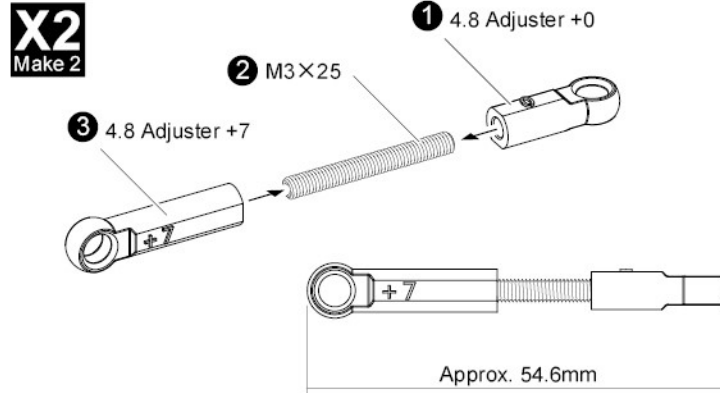


-  M3×12 screw ×2
圓頭螺絲
-  M3×25 screw ×2
圓頭螺絲
-  4.8×4.5 Ball end ×2
球頭螺絲
-  4.8 Adjuster +0 ×4
拉桿頭
-  4.8 Adjuster +5 ×2
拉桿頭
-  4.8 Adjuster +7 ×2
拉桿頭
-  Servo saver cover ×1
伺服緩衝器蓋
-  Servo saver mount 23T ×1
伺服緩衝座 23T
-  Servo saver mount 25T ×1
伺服緩衝座 25T
-  Servo horn ×1
伺服緩衝片
-  Servo saver spring ×1
伺服緩衝彈簧
-  Servo mount ×2
伺服機座



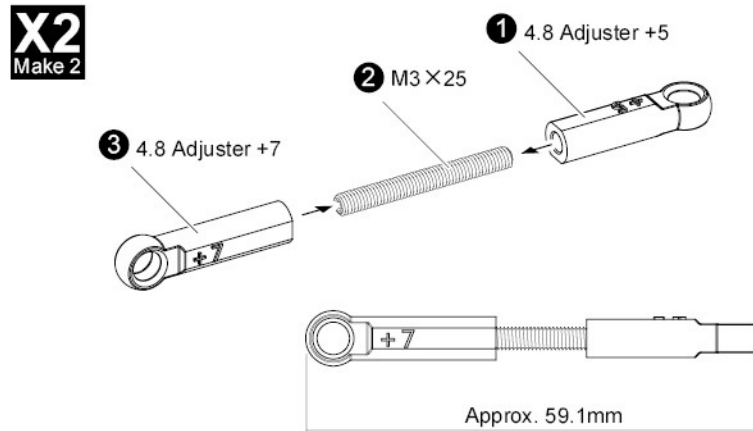
STANDARD TRACK (WIDTH 164 mm)
標準車寬 (車寬 164 mm)

STEP 1 Steering adjuster assembly
轉向拉桿組裝

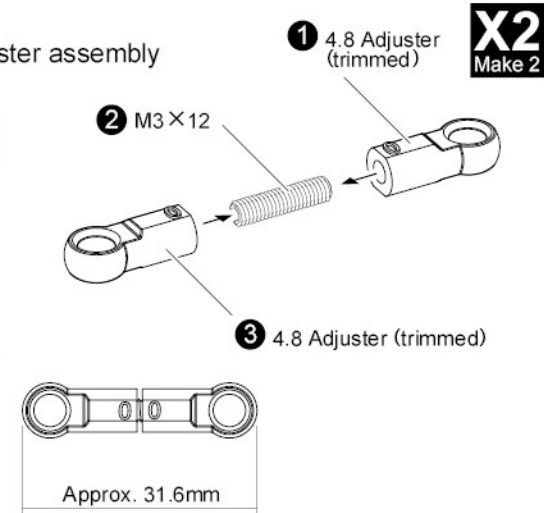


WIDER TRACK (WIDTH 173 mm)
寬版車寬 (車寬 173 mm)

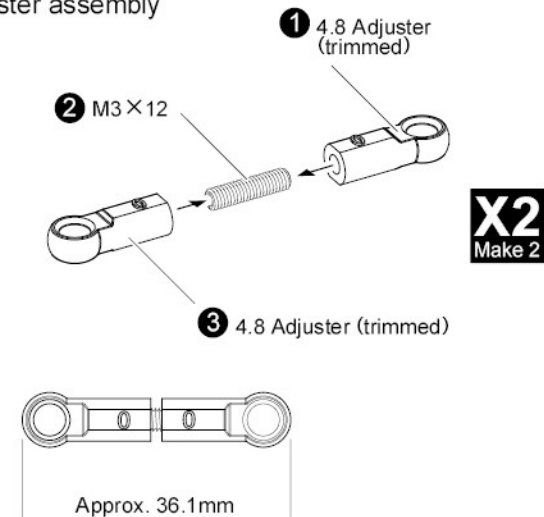
STEP 1 Steering adjuster assembly
轉向拉桿組裝



STEP 2 Rear toe adjuster assembly
後束角拉桿組裝



STEP 2 Rear toe adjuster assembly
後束角拉桿組裝



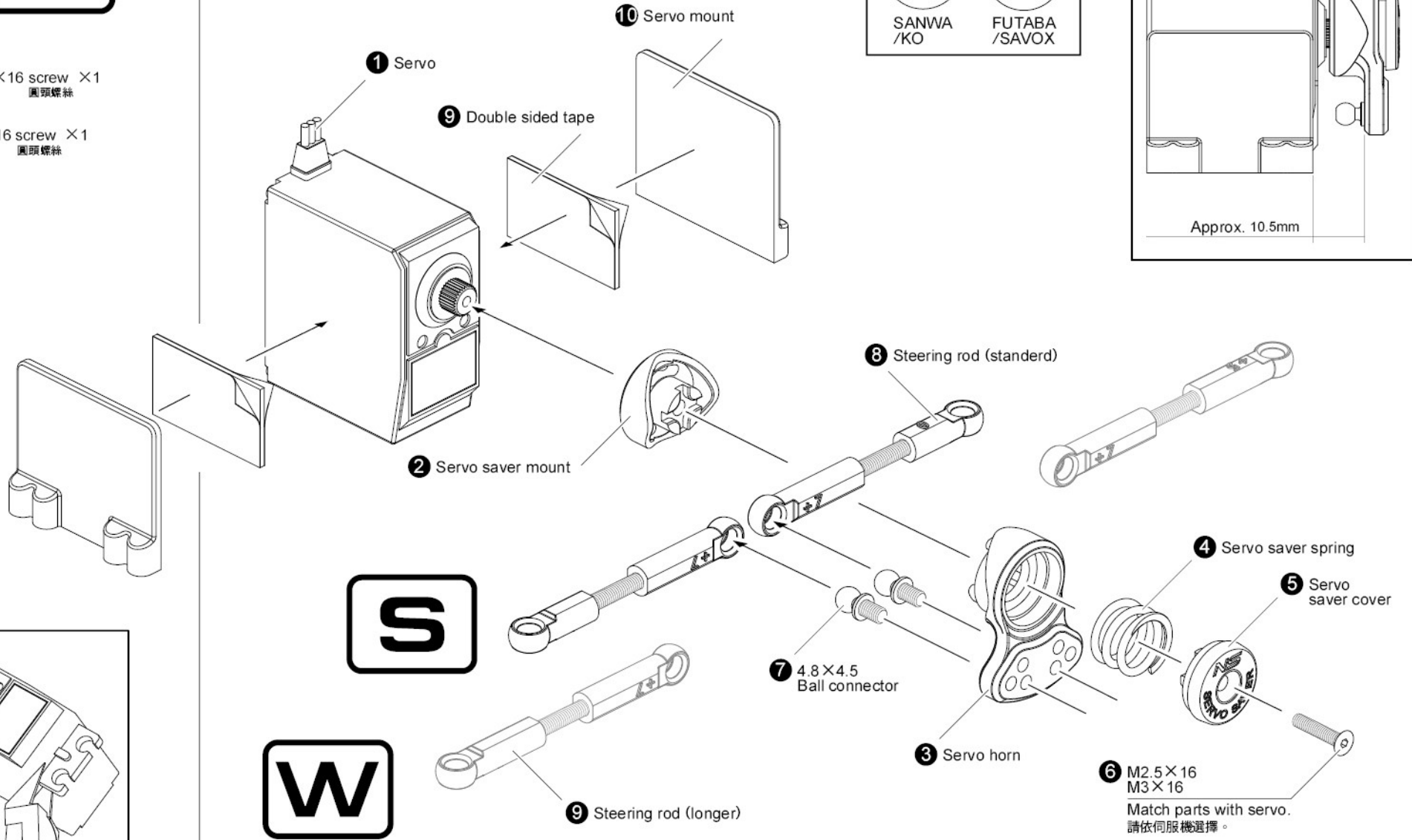
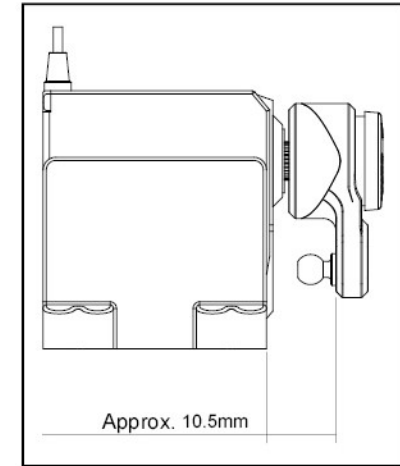
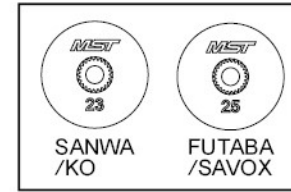
TRACK WIDTH



M2.5×16 screw ×1
圓頭螺絲

M3×16 screw ×1
圓頭螺絲

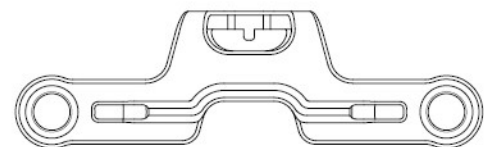
STEP 3 Servo & servo saver assembly
伺服機組裝



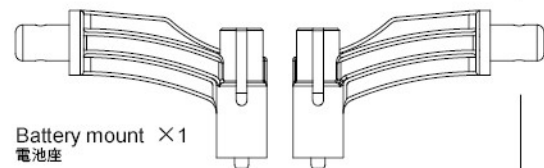
210
225

M3×8 screw ×4
沉頭螺絲

M2.5×6 screw ×4
沉頭螺絲



Battery mount ×1
電池座

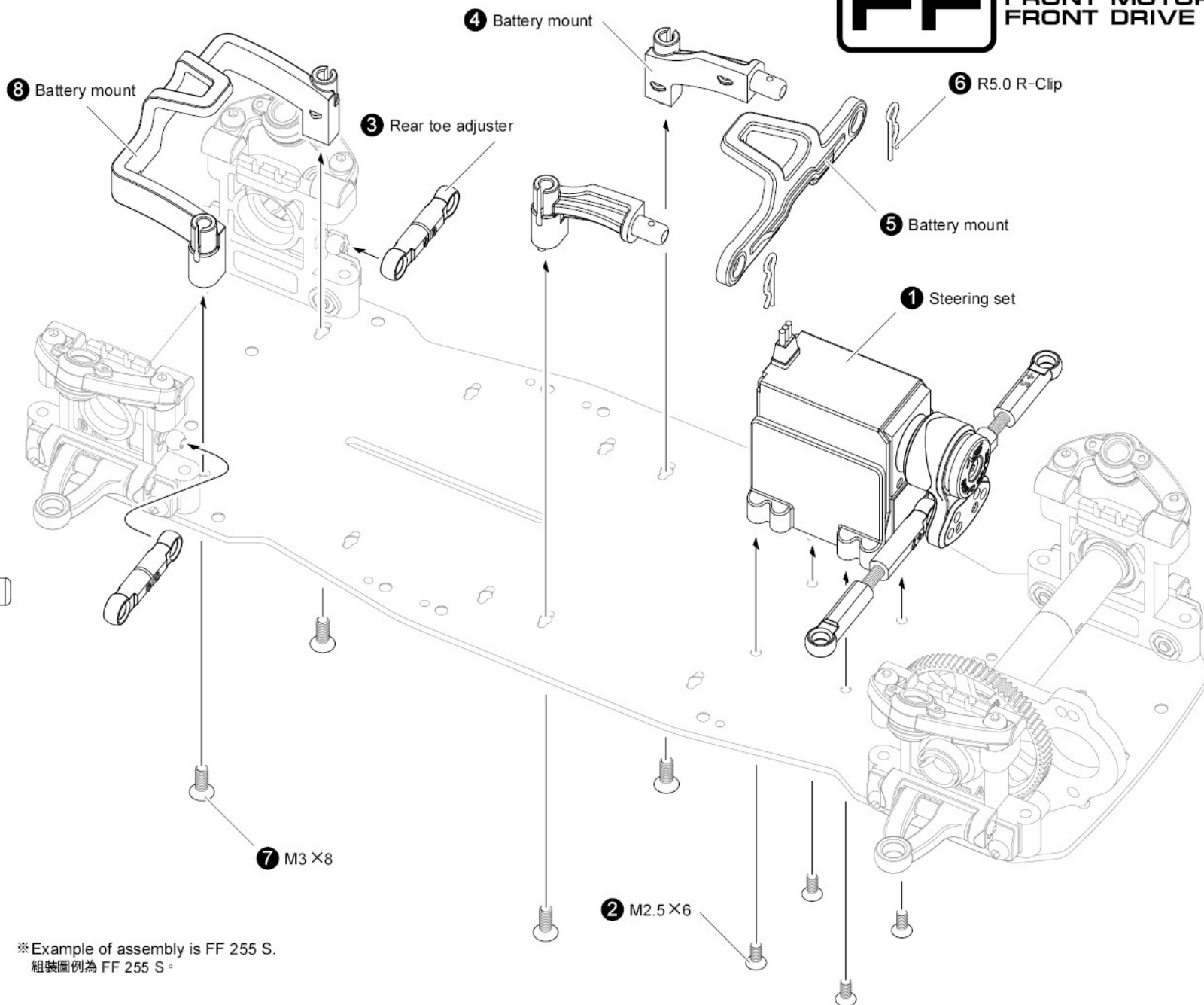


Battery mount ×1
電池座



Battery mount ×1
電池座

STEP 1 Steering servo & battery mount assembly
轉向伺服機 & 電池座組裝



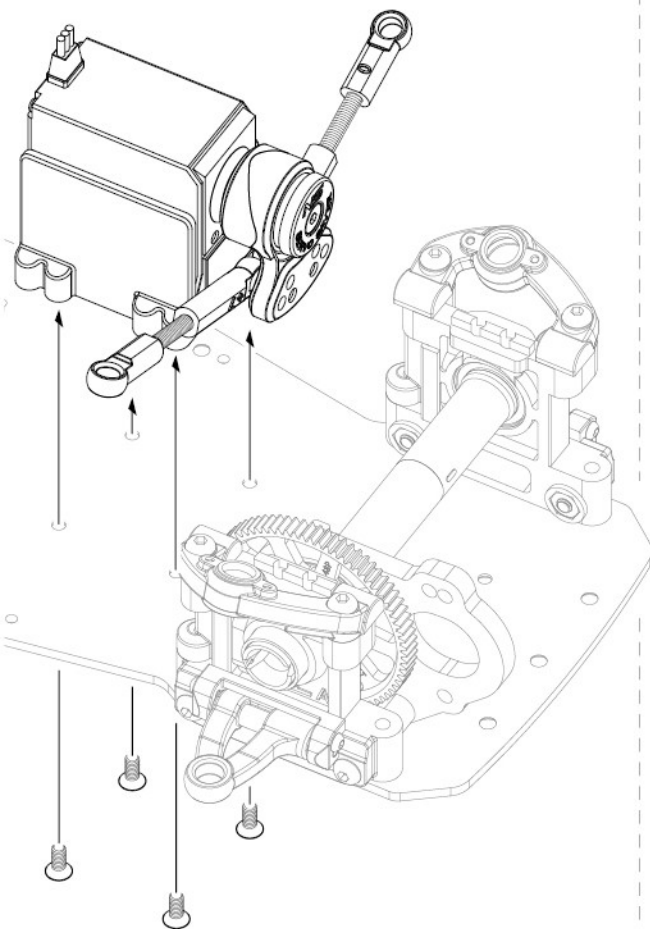
FF FRONT MOTOR
FRONT DRIVE

※Example of assembly is FF 255 S.
組裝圖例為 FF 255 S。

233

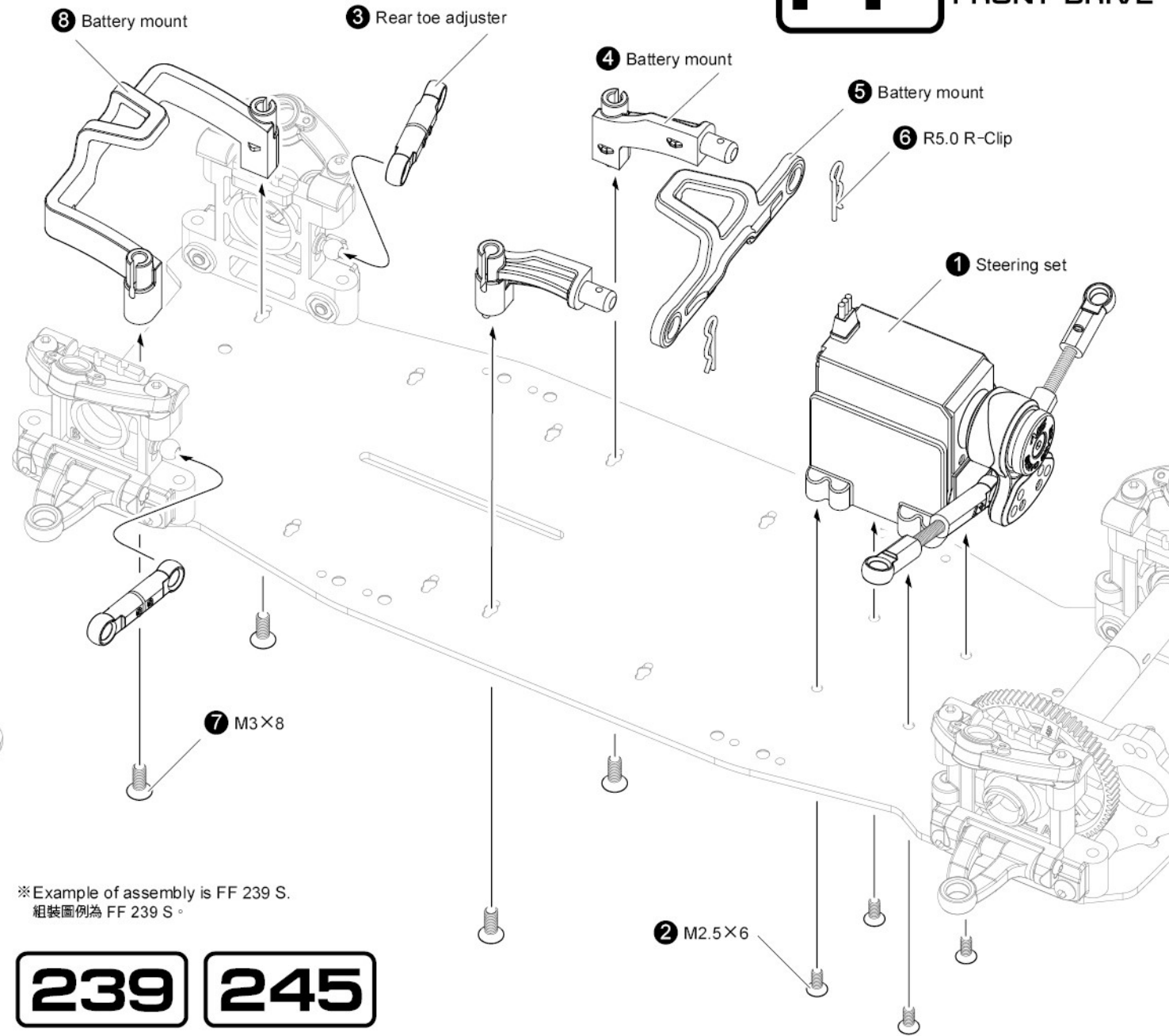
239

245



STEP 1 Steering servo & battery mount assembly
轉向伺服機 & 電池座組裝

FF FRONT MOTOR
FRONT DRIVE



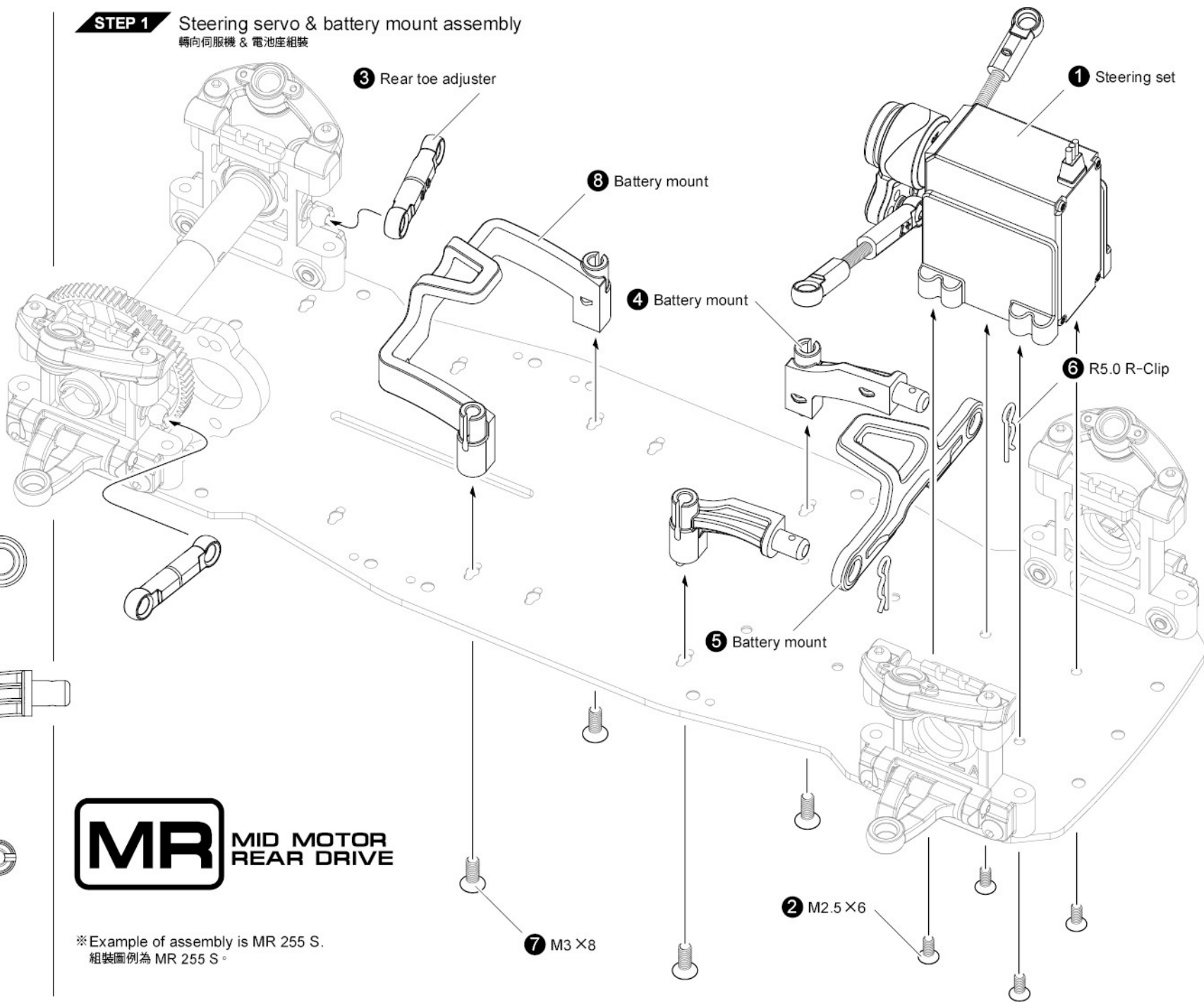
※Example of assembly is FF 239 S.
組裝圖例為 FF 239 S。

239

245

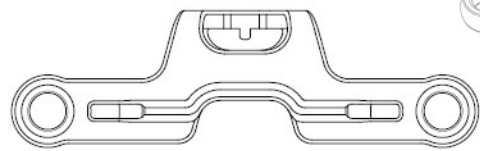
210
225

STEP 1 Steering servo & battery mount assembly
轉向伺服機 & 電池座組裝

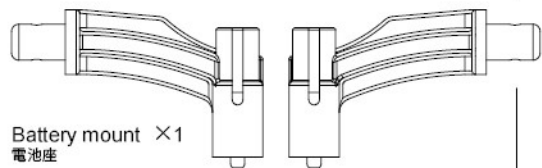


M3×8 screw ×4
沉頭螺絲

M2.5×6 screw ×4
沉頭螺絲



Battery mount ×1
電池座



Battery mount ×1
電池座



Battery mount ×1
電池座

MR MID MOTOR
REAR DRIVE

※ Example of assembly is MR 255 S.
組裝圖例為 MR 255 S。

233

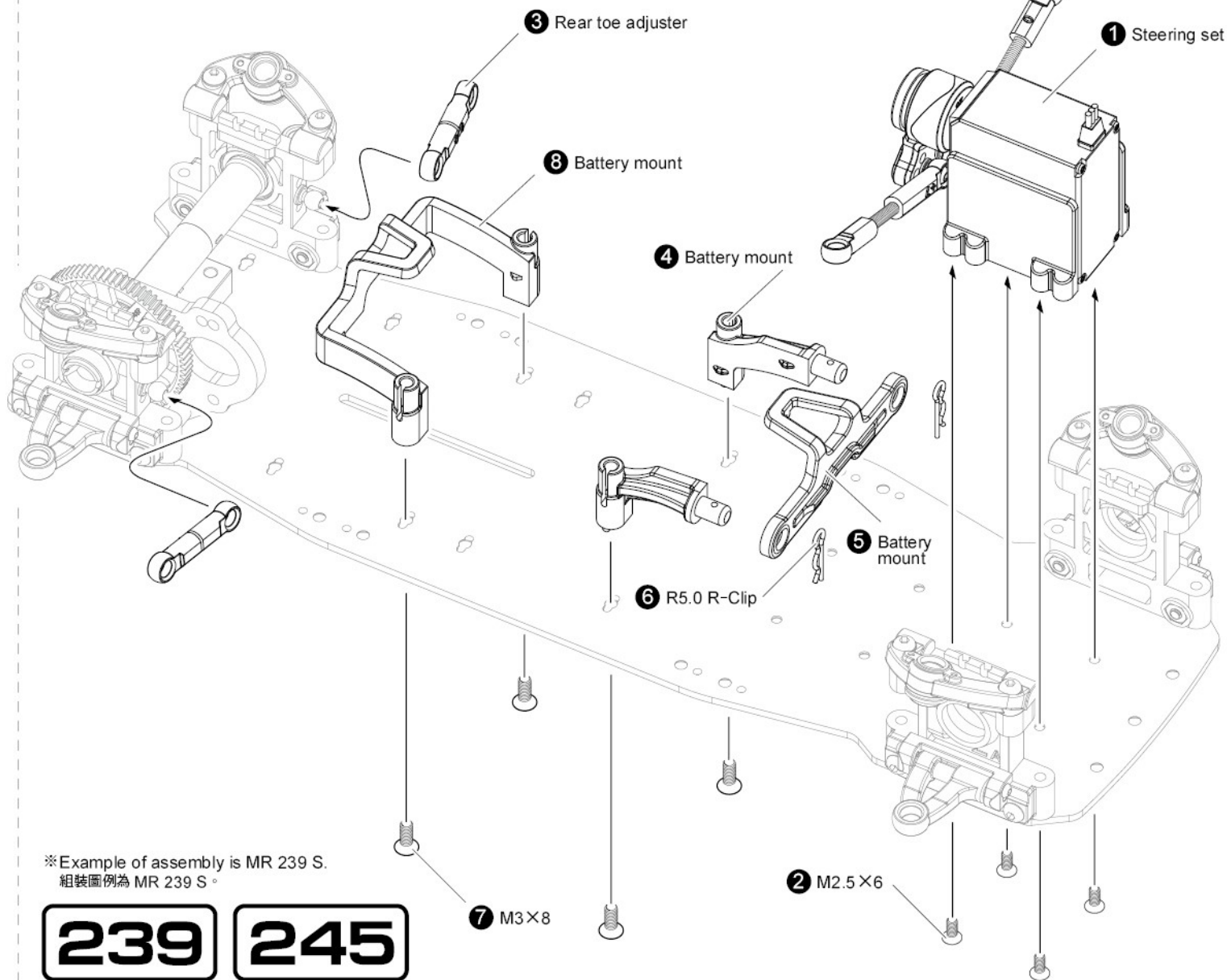
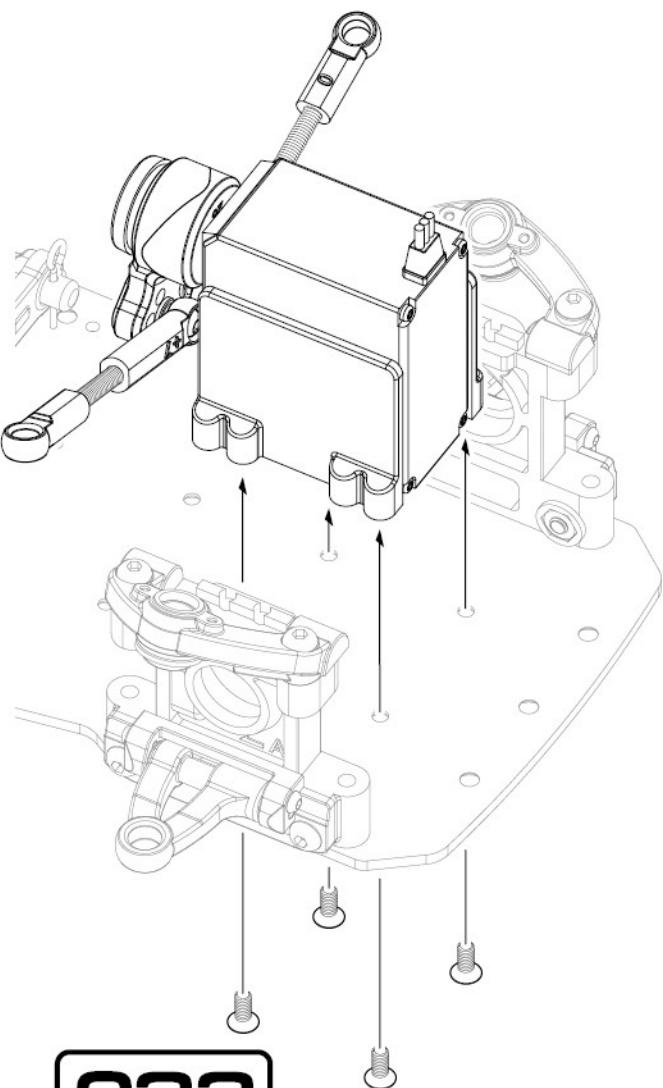
239

245

STEP 1

Steering servo & battery mount assembly

轉向伺服機 & 電池座組裝



※Example of assembly is MR 239 S.
組裝圖例為 MR 239 S。

233

239

245

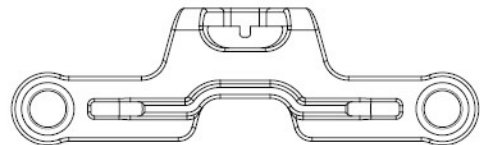
STEP 1 Steering servo & battery mount assembly
轉向伺服機 & 電池座組裝



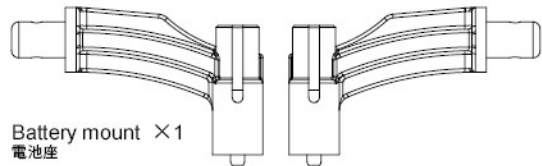
210
225

M3×8 screw ×4
沉頭螺絲

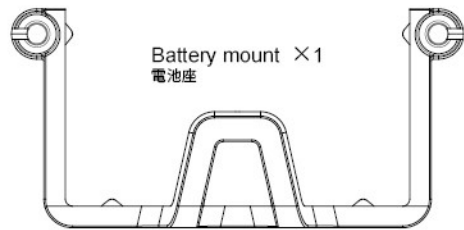
M2.5×6 screw ×4
沉頭螺絲



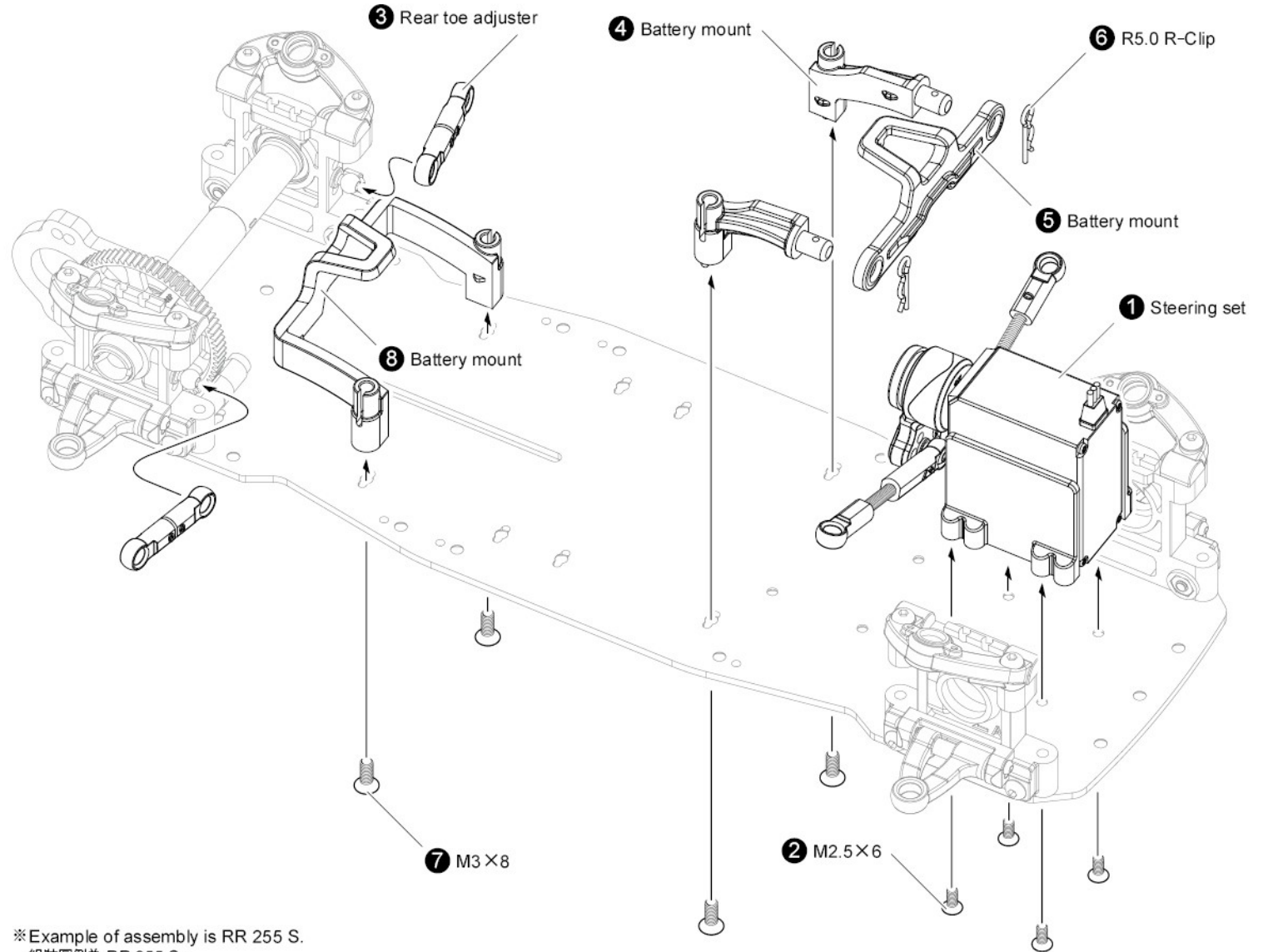
Battery mount ×1
電池座



Battery mount ×1
電池座



Battery mount ×1
電池座



※ Example of assembly is RR 255 S.
組裝圖例為 RR 255 S。

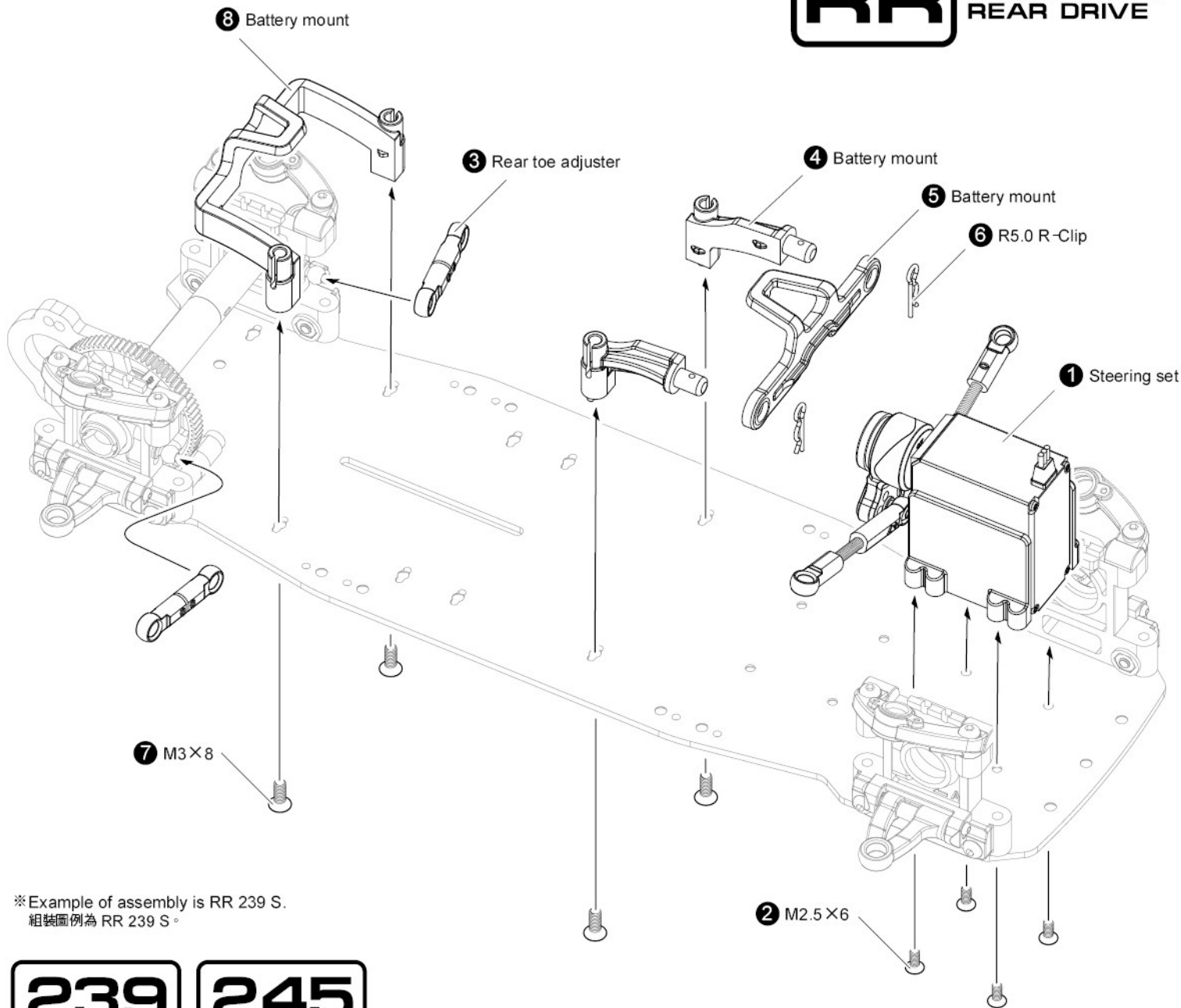
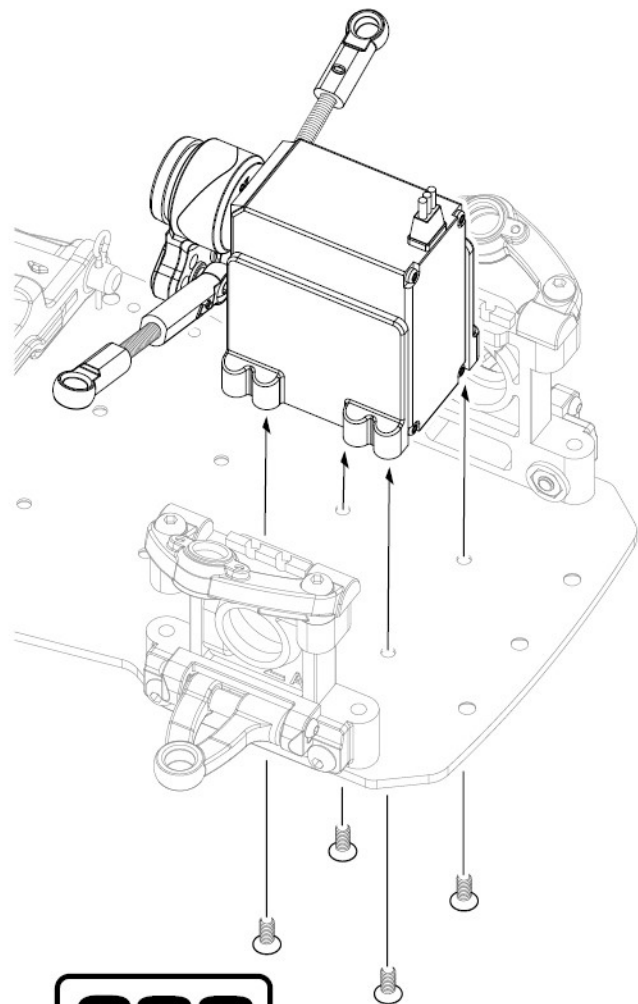
STEP 1 Steering servo & battery mount assembly
轉向伺服機 & 電池座組裝



233

239

245



※ Example of assembly is RR 239 S.
組裝圖例為 RR 239 S。

239

245

233